

# H (LOGIC 5.0) HOIST OPERATOR

Section 08 71 13



**DATA SHEET**

## Key Features

### STANDARD APPLICATION

Recommended for rolling steel doors/grilles and high or vertical-lift sectional overhead doors in standard duty-cycle commercial applications where a manual hoist is required

### RATED DUTY CYCLE

Standard-duty: Up to 25 cycles/hour up to 90 cycles/day  
(using continuous-rated motor)

### OPERATOR SPEED

8-9 Inches per second

### LIMIT SETTINGS

Mechanical

### EMERGENCY DISCONNECT FOR MANUAL OPERATION

Floor-level emergency release sash chain

### EMERGENCY DISCONNECT WITH AUTO-RECONNECT

Reconnects when tension is removed from emergency release sash chain

### PROGRAMMING

Control function selector dial/tactile buttons

### CIRCUIT BOARD

Solid-state Logic 5.0 circuit board

### TIMER-TO-CLOSE

Programmable in 1 second and 15 second increments up to 68 minutes, standard

### CLUTCH

Standard adjustable friction clutch

### MID-STOP

Programmable

### RUN TIME PROTECTION

Maximum run timer

### MOTOR REVERSE ACTION PROTECTION

Delay-on-reverse circuit

### MOTOR OPERATOR WALL CONTROL

3-Button Control Station with Maintenance Alert System (MAS)

## Specifications

### RADIO RECEIVER

Security+ 2.0<sup>®</sup> technology standard on-board with tri-band frequency; accepts up to (90) single-button or (30) 3-button remote controls plus up to (30) wireless keypads or an unlimited number of DIP switch remotes

### VOLTAGE CONNECTIONS

Single-phase: 115V/230V dual voltage; 3-phase: 208V/230V/460V dual voltage;  
3-phase: 575V single voltage

### CONTROL CIRCUIT

5VDC NEC class 2

### DRIVE REDUCTION

Belt/chain & pulley; first-stage heavy-duty 5L V-belt; second-third-fourth stages  
#48 chain; #50 output sprocket chain

### BEARINGS/BUSHINGS

Industrial ball bearings on a 1" output shaft; heavy-duty oil-filled bushings  
on reduction shafts

### BRAKE

Standard on 3/4 operators; optional on 1/2 HP

### CONSTRUCTION

NEMA 1 type electrical box; heavy-duty 11-gauge steel frame with durable powder  
coat finish; all reduction sprockets drilled and pinned to shafts

### WARRANTY

2 years

## Installation Features

### MAXIMUM DOOR WIDTH

22 feet standard with additional capability\*

### MAXIMUM DOOR HEIGHT

26 feet standard with additional capability\*

### MAXIMUM ALLOWABLE SQUARE FOOTAGE

640 square feet

### INTERNET CONNECTIVITY

myQ<sup>®</sup> Technology enables remote monitoring and control of the commercial door  
via a smart phone, tablet, or computer\*\*

\* Contact us at [Specs@LiftMaster.com](mailto:Specs@LiftMaster.com) for additional capabilities.

\*\*LiftMaster Internet Gateway and myQ app required.

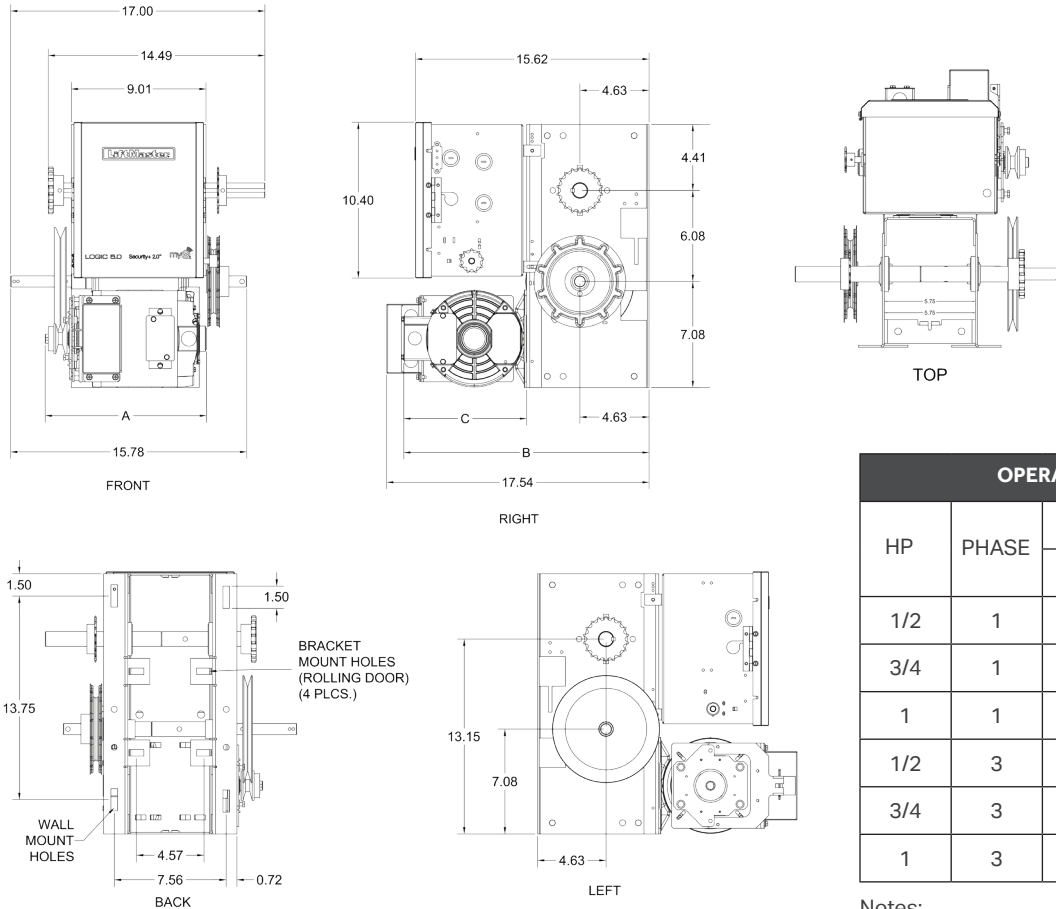
# H (LOGIC 5.0) HOIST OPERATOR

Section 08 71 13

**DATA SHEET**



## Dimensions



**OPERATOR DIMENSION TABLE**

HP	PHASE	DIMENSIONS		
		A	B	C
1/2	1	10-3/4"	16-13/32"	8-7/32"
3/4	1	11-9/32"	16-11/32"	8-5/32"
1	1	11-29/32"	17-1/16"	8-7/8"
1/2	3	11-5/16"	16-7/16"	8-3/16"
3/4	3	11-5/16"	16-13/32"	8-3/16"
1	3	11-5/16"	16-13/32"	8-3/16"

Notes:

1. Dimensions A,B & C may vary per motor manufacturer specification revisions and special modifications to the operator.

## Capacity

MAXIMUM DOOR AREA (SQ. FT.)						
ROLLING	24 ga. Steel	22 ga. Steel	—	20 ga. 18 ga. Steel	16 ga. Steel	—
	Aluminum Grilles	Aluminum Doors	—	Steel Grilles	—	—
SECTIONAL	—	24 ga. 22 ga. Steel	20 ga. Steel	—	16 ga. Steel	—
	Fiberglass	Aluminum Doors	Wood Doors	—	—	—
	—	—	24 ga. Steel Insulated	—	20 ga. Steel Insulated	16 ga. Steel Insulated
HP	1/3	310	285	260	210	175
	1/2	400	350	320	280	250
	3/4	560	500	450	380	325
	1	640	625	560	475	400

On steel insulated doors, a 24-gauge back panel is assumed. If a heavier back panel is supplied, use the next higher HP rating. Recommended max duty cycles: 25 per hour, up to 90 per day.