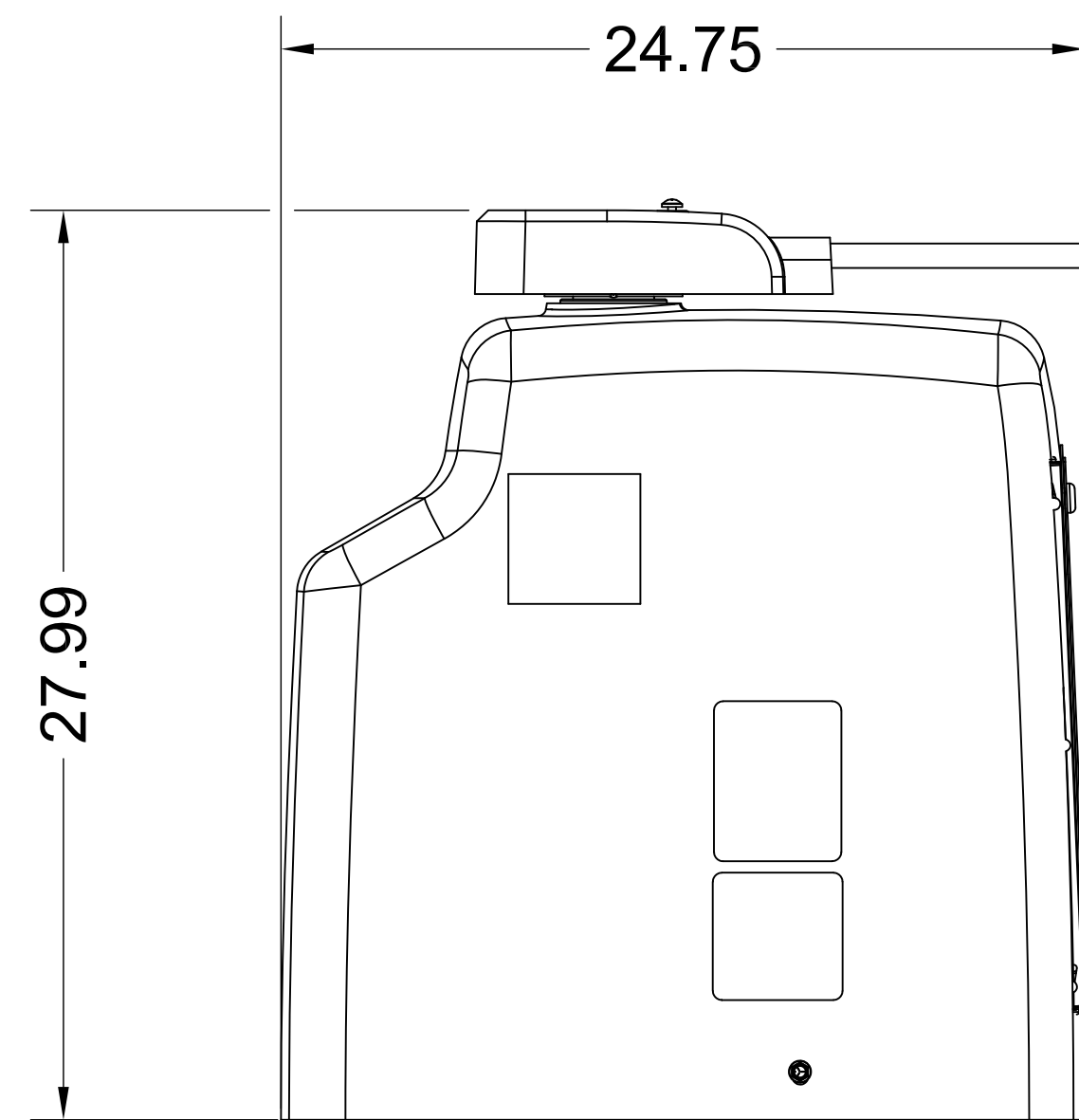
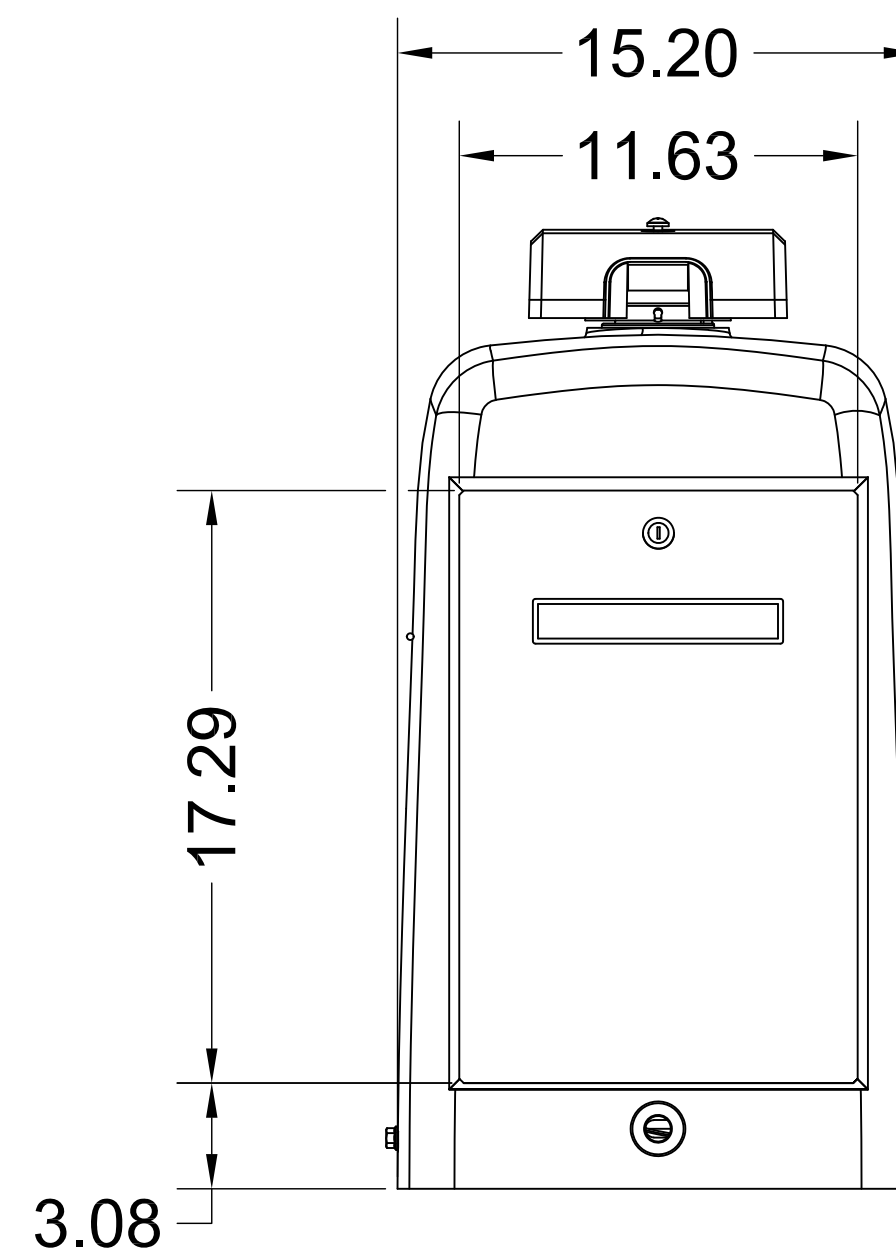


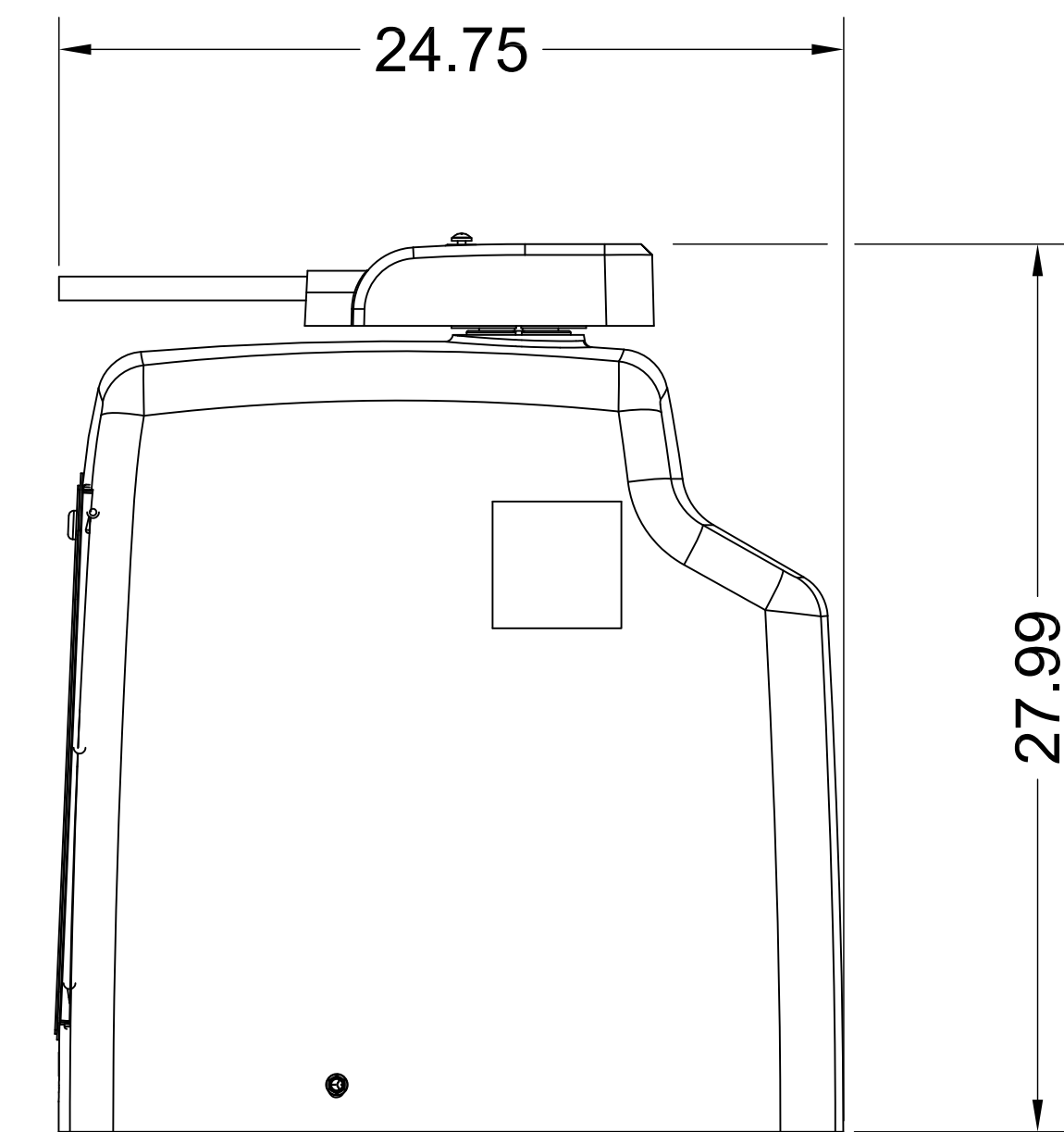
TOP VIEW



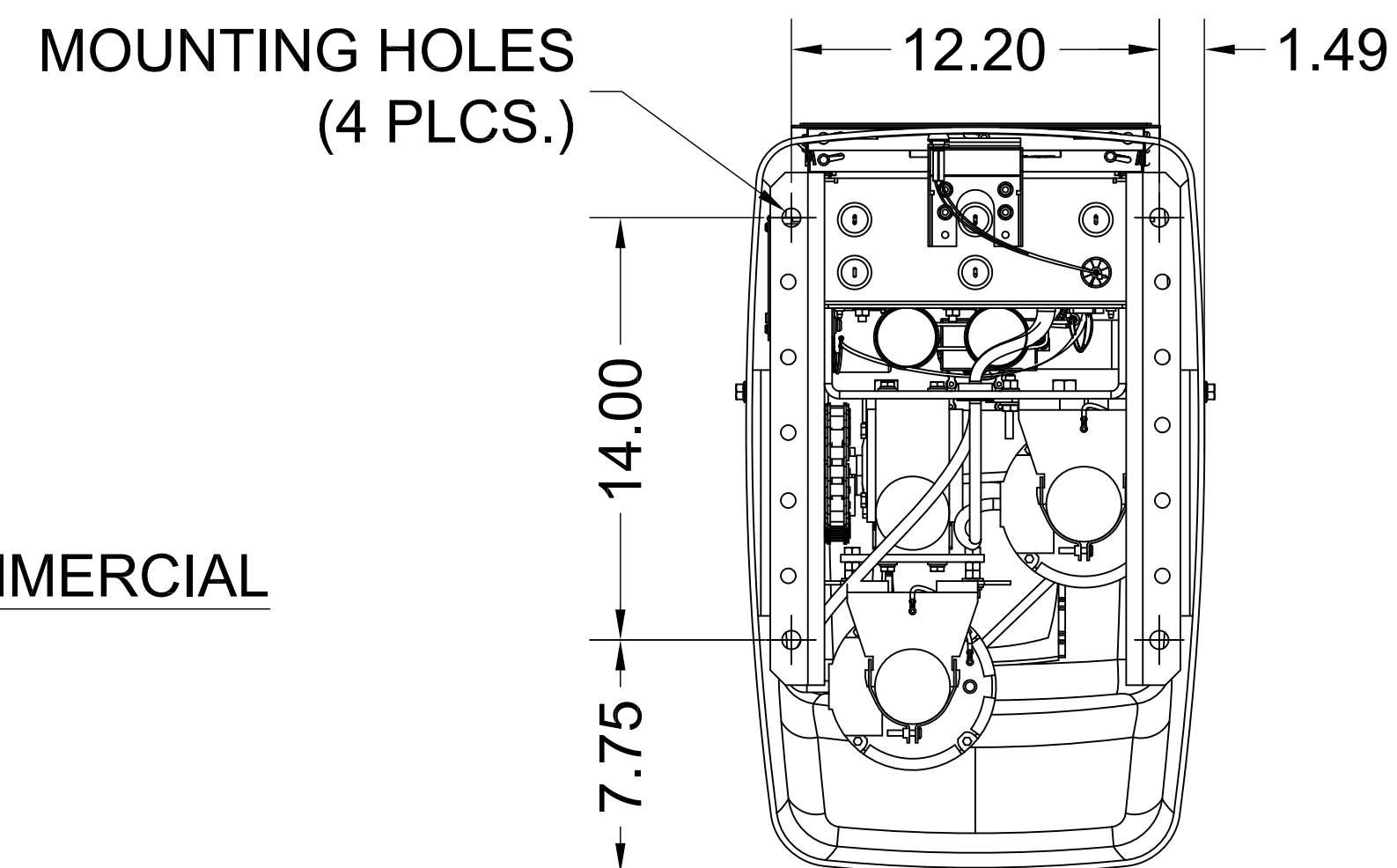
LEFT VIEW



FRONT VIEW



RIGHT VIEW



BOTTOM VIEW

(CSW200501U / CSW200101U) AC HIGH-TRAFFIC COMMERCIAL SWING GATE OPERATOR

		300 WINDSOR DR. OAK BROOK, IL 60523 PHONE: (630) 418-6516 FAX: (630) 516-7059
DRW. BY: B. MOFFETT DATE: 07/12/2019 TITLE: CSW200501U / CSW200101U GATE OPERATOR CAD FILE: -	REVISION: SCALE: NTS	SHEET NO: 1/1