

SLOW SPEED HOIST (MHS) MEDIUM-DUTY COMMERCIAL DOOR OPERATOR



MEDIUM-DUTY APPLICATIONS

IDEAL FOR
rolling sheet doors which
require slower speeds

WALL MOUNT
for small rolling sheet doors

SLOW SPEED
operation with electric interlock
and chain hoist for manual
operation in an Emergency

MONITORED ENTRAPMENT PROTECTION:

COMMERCIAL PHOTO EYES
Indoor use; NEMA 1 rated;
max. range: 30 ft.



CPS-U

**RETRO-REFLECTIVE
PHOTO EYE**

Photo eye and reflector with
polarized beam; indoor/outdoor use;
NEMA 4X rated; max. range: 50 ft.



CPS-RPEN4

DUAL-SIDED PHOTO EYES

Flexible rubber housings resist water
spray and corrosion; indoor/outdoor use;
NEMA 4X rated; max. range: 45 ft.



CPS-OPEN4

COMMERCIAL PROTECTOR SYSTEM®

Heavy-duty industrial housings;
indoor/outdoor use; NEMA 4 rated;
max. range: 45 ft.



CPS-UNA

OPTICAL EDGE SYSTEM

Infrared optical sensors in a cut-to-length
rubber enclosure are protected against
water; indoor/outdoor use; NEMA 6 rated;
max. range: 33 ft.



OES

NON-MONITORED ENTRAPMENT PROTECTION:

LIGHT CURTAIN

Provides 36 inches of increased zone
coverage for additional protection;
indoor use; requires separate power
source (100MAPS); max. range: 33 ft.



LC-36A

TOTAL SOLUTION ACCESSORIES:

**TRI-COLOR 3-BUTTON
REMOTE CONTROL**

OPEN/CLOSE/STOP functionality, with easy code
selection, 9-position trinary DIP switches with
19,683 changeable codes per channel.



333LM

REMOTE CONTROLS

Program one or up to three LiftMaster operators.
With Security+ Rolling Code Technology 315 MHz,
users are assured of a new code with every use.



373LM/371LM

WIRELESS KEYPAD

NEMA 4X (water protection requirements) sealed
electronics for reliable outdoor use; provides
additional compatibility with Security+ Technology.



KPW250

PROVEN PERFORMANCE

MEDIUM-DUTY LOGIC PROGRAMMABLE INTEGRATED CIRCUIT BOARD.

BUILT-IN 3-CHANNEL SECURITY+® RECEIVER:

- ALLOWS YOU TO LEARN/PROGRAM UP TO (20) LIFTMASTER® 315 MHZ REMOTE CONTROLS.
- RECOGNIZES SECURITY+ AND DIP SWITCH REMOTE CONTROLS.
- COMPATIBLE WITH 3-BUTTON, 3-COLOR REMOTE CONTROLS FOR OPEN CLOSE/STOP OPERATION. (333LM)

SAFE AND SECURE

INTEGRATED TIMER-TO-CLOSE (TTC) PROGRAMMABLE FROM 5 TO 60 SECONDS IN 5-SECOND INCREMENTS. ALLOWS FOR TIMED AUTOMATIC DOOR CLOSURE AFTER THE DOOR REACHES THE FULL OPEN POSITION.

EMERGENCY MANUAL OPERATION PROVIDES EASY EMERGENCY MANUAL OPERATION USING A FLOOR LEVEL DISCONNECT AND AN ELECTRICALLY INTERLOCKED CHAIN HOIST MECHANISM.

THE COMMERCIAL PROTECTOR SYSTEM AUTO-REVERSES THE CLOSING DOOR IF AN ENTRAPMENT PROTECTION DEVICE DETECTS AN OBSTRUCTION.

UL 325 REQUIRES ALL COMMERCIAL DOOR OPERATORS TO BE EITHER CONSTANT PRESSURE TO CLOSE OR BE EQUIPPED WITH A PRIMARY EXTERNAL MONITORED ENTRAPMENT DEVICE.

RELIABLE

HIGH-STARTING TORQUE MOTOR WITH OVERLOAD PROTECTION.

WARRANTY 2 YEARS.

LiftMaster offers accessory solutions for any commercial application. View the full product lineup at LiftMaster.com

PRODUCT GUIDE MHS
MEDIUM-DUTY HOIST
COMMERCIAL OPERATOR

LiftMaster®

MASTERFUL ENGINEERING.

MOTOR



- Instant Reverse
- Capacitor Start and Overload Protection
- Removable Without Affecting Limit Switch Settings
- **Duty Cycle:** Maximum 12 Cycles per Hour;
Less than 50 Cycles per Day

POWER

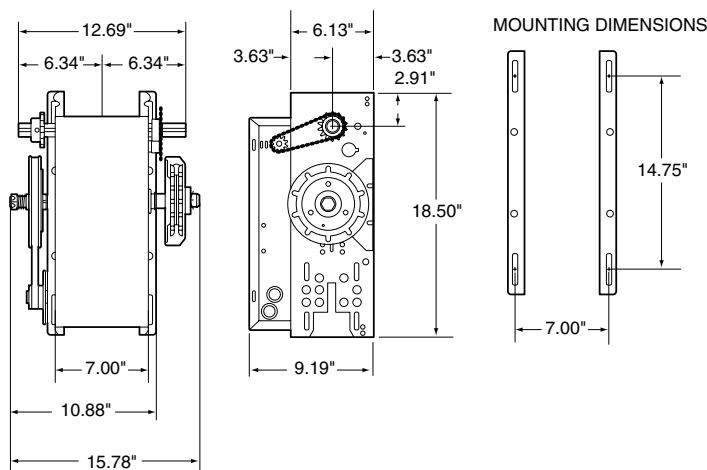


- 1/2 HP, 115V Single-Phase Motor
- 24V NEC Class 2 Control Circuit

COMMERCIAL-GRADE DESIGN



- **First-Stage Heavy-Duty 4L V-belt;** Second and Third Stages #48 chain
- **Floor-Level Disconnect and Chain Hoist** with Electrical Interlock for Hoist Operation in an Emergency
- **Maximum Door Height:** 14 Feet



MAXIMUM DOOR AREA (SQ. FT.)

	24 GA. STEEL	22 GA. STEEL	20 GA., 18 GA. STEEL
ROLLING	ALUMINUM GRILLES	ALUMINUM DOORS	STEEL GRILLES
SQ FT.	320	275	200

STANDARD SPECS.

BUILT-IN 315 MHz RECEIVER

- 315 MHz radio receiver is integral to the Medium-Duty Logic board
- Accepts up to (20) LiftMaster® Security+® remote controls and unlimited DIP switch remote controls

WIRING

- All operators are factory preset to C2 mode, providing momentary contact to open and stop, with constant contact to close. Monitored entrapment protection, using approved photo sensors or sensing edges, is optional, although recommended, when using this wiring type
- Momentary contact to close (B2 mode) is an available optional wiring type, but can only be selected when the appropriate LiftMaster Monitored Entrapment Protection Device is installed, either photo eye or the directly wired Optical Edge System

CONSTRUCTION

- Heavy-duty oil-filled bushings
- Adjustable friction clutch helps protect against damage to the door and operator should the door meet an obstruction
- NEMA 1 type electrical box, heavy-duty 11-gauge steel frame with baked-on powder-coat finish, all reduction sprockets drilled and pinned to shafts
- Integrated 90-second maximum run timer

ACCESSORIES/MODIFICATIONS.

- **SINGLE BUTTON CONTROL:** Provides an additional input for single-button control functionality. Required for installation of any external radio receiver (LiftMaster 850LM). **Recommended for factory installation (90-MSLBC);** field kit also available (71-MLSBC)
- **AUXILIARY LIMIT SWITCHES:** Provides additional limit switches with dry form C contacts at the open and closed door positions to control auxiliary devices such as lights, heaters, dock levelers, etc. **Must be factory installed;** Terminal Block Connections (90-210MTOC) or with Wire Leads (90-9210MOC)
- **INTERLOCK SWITCH:** Disables the operator control circuit when door is locked, preventing damage to the door and operator. Rolling Door Interlock (50401); Sectional Door Interlock (50450)

Note: LiftMaster Medium-Duty Operators have a limited number of modifications available. For additional robust features and to customize your application with our full suite of factory installed and field modifications upgrade to Logic 5.0. Visit Catalog.LiftMaster.com for more product information.