

# MGJ MEDIUM-DUTY LOGIC GEAR-REDUCED JACKSHAFT OPERATOR

SECTION 08 71 1



## KEY FEATURES

<b>STANDARD APPLICATION</b>	Recommended for small rolling steel doors/grilles/shutters and high or vertical-lift sectional overhead doors in medium duty-cycle commercial applications where a manual hoist is not required
<b>RATED DUTY CYCLE</b>	Medium-duty: Up to 12 cycles/hour and up to 50 cycles/day (using continuous-rated motor)
<b>OPERATOR SPEED</b>	8-9 Inches per second
<b>LIMIT SETTINGS</b>	Mechanical
<b>EMERGENCY DISCONNECT FOR MANUAL OPERATION</b>	Floor-level emergency release sash chain
<b>EMERGENCY DISCONNECT WITH AUTO-RECONNECT</b>	Reconnects when tension is removed from emergency release sash chain
<b>PROGRAMMING</b>	Tactile buttons
<b>CIRCUIT BOARD</b>	Solid-state medium-duty logic circuit board
<b>TIMER-TO-CLOSE</b>	Programmable from 5-60 seconds in 5-second increments
<b>MOTOR OPERATOR WALL CONTROL</b>	3-Button Control Station
<b>PUSH BUTTON STATION</b>	3-Push button station (Open/Close/Stop)

## SPECIFICATIONS

<b>RADIO RECEIVER</b>	Security+® 315 MHz radio receiver; accepts up to 23 Security+ remote controls and unlimited DIP switch remote controls
<b>VOLTAGE CONNECTIONS</b>	Single-phase: 115V
<b>CONTROL CIRCUIT</b>	24V NEC class 2
<b>DRIVE REDUCTION</b>	Sealed roller bearings in gear reducer
<b>CONSTRUCTION</b>	NEMA 1 type electrical box; heavy-duty 11-gauge steel frame with baked-on powder coat finish; all reduction sprockets drilled and pinned to shafts
<b>WARRANTY</b>	2 years

## INSTALLATION FEATURES

<b>MAXIMUM DOOR HEIGHT</b>	14 feet*
<b>MAXIMUM DOOR WIDTH</b>	22 feet standard with additional capability*
<b>MAXIMUM ALLOWABLE SQUARE FOOTAGE</b>	320 square feet

This commercial door operator must feature constant pressure to close or be equipped with an external monitored entrapment protection device. Use only LiftMaster monitored entrapment protection devices itemized on the accessory page of the operators installation manual to meet UL 325 requirements.

\*Contact us at [Specs@LiftMaster.com](mailto:Specs@LiftMaster.com) for additional capabilities.

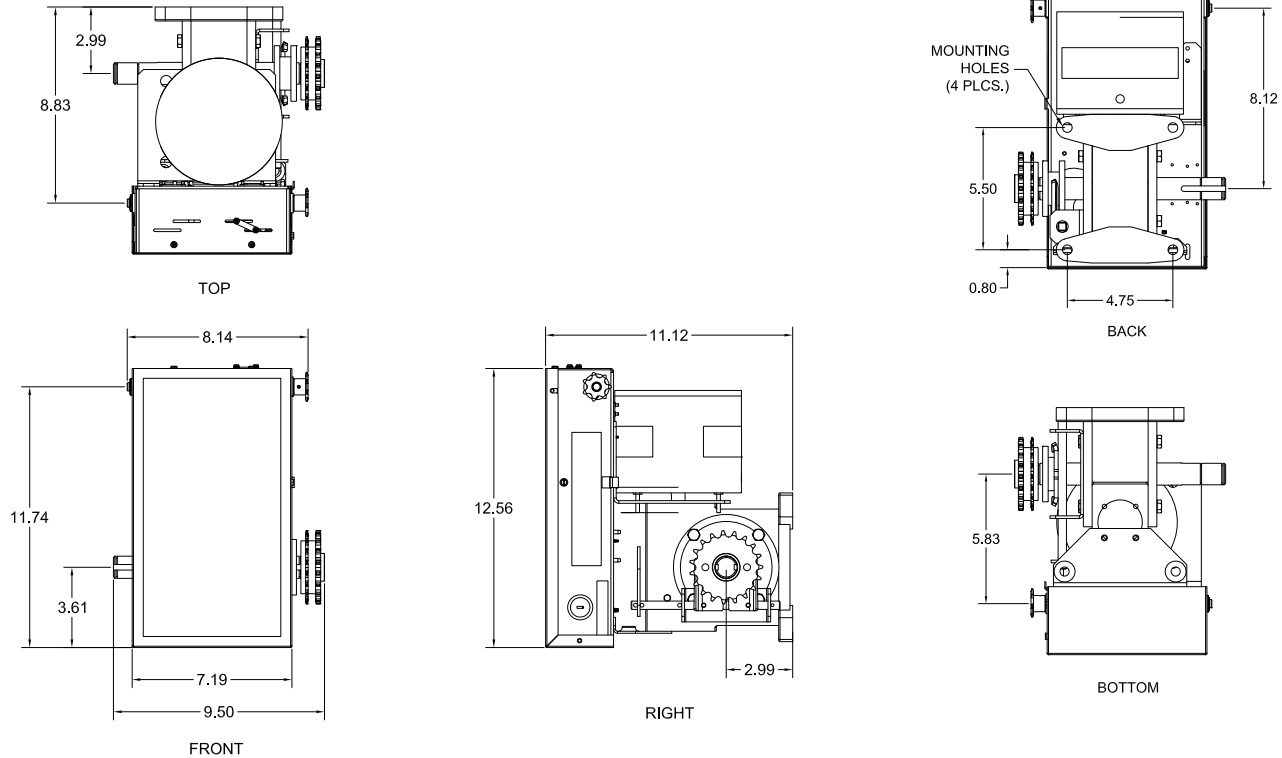
**DATA SHEET**  
MEDIUM-DUTY LOGIC GEAR-  
REDUCED JACKSHAFT OPERATOR

**LiftMaster**

# MGJ MEDIUM-DUTY LOGIC GEAR-REDUCED JACKSHAFT OPERATOR

SECTION 08 71 13

## DIMENSIONS



## CAPACITY

MAXIMUM DOOR AREA (SQ. FT.)						
<b>ROLLING</b>	24 GA. STEEL	22 GA. STEEL	-	20 GA. 18 GA. STEEL	16 GA. STEEL	-
	ALUMINIUM GRILLES	ALUMINIUM DOORS	-	STEEL GRILLES	-	-
<b>SECTIONAL</b>	-	24 GA. 22 GA. STEEL	20 GA. STEEL	-	16 GA. STEEL	-
	FIBERGLASS	ALUMINIUM DOORS	WOOD DOORS	-	-	-
	-	-	24 GA. STEEL INSULATED	-	24 GA. STEEL INSULATED	16 GA. STEEL INSULATED
<b>SQ. FT.</b>	320	280	260	225	200	150

On steel insulated doors, a 24-gauge back panel is assumed.  
Recommended max duty cycles: 12 cycles/hour;  
fewer than 50 cycles/day.