

MT MEDIUM-DUTY LOGIC TROLLEY OPERATOR

SECTION 08 71 13



KEY FEATURES

STANDARD APPLICATION	Recommended for standard-lift sectional overhead doors in medium duty-cycle commercial applications
RATED DUTY CYCLE	Medium-duty: Up to 12 cycles/hour and up to 50 cycles/day (using intermittent-rated motor)
OPERATOR SPEED	8-10 Inches per second
LIMIT SETTINGS	Mechanical
EMERGENCY DISCONNECT FOR MANUAL OPERATION	Floor-level emergency release sash chain
EMERGENCY DISCONNECT WITH AUTO-RECONNECT	Reconnects when tension is removed from emergency release rope
PROGRAMMING	Tactile buttons
CIRCUIT BOARD	Solid-state medium-duty logic circuit board
TIMER-TO-CLOSE	Programmable from 5-60 seconds in 5-second increments
CLUTCH	Standard adjustable friction clutch
MOTOR OPERATOR WALL CONTROL	3-Button control station
TROLLEY TRACK	Dual L-rail trolley track
PUSH BUTTON STATION	3-Push button station (Open/Close/Stop)

SPECIFICATIONS

RADIO RECEIVER	Security+® 315 MHz radio receiver; accepts up to 23 Security+ remote controls and unlimited DIP switch remote controls
VOLTAGE CONNECTIONS	Single-phase: 115V
CONTROL CIRCUIT	24V NEC class 2
DRIVE REDUCTION	First-stage heavy-duty 4L V-belt; second and third stages #48 chain
BRAKE	Optional
CONSTRUCTION	NEMA 1 type electrical box; heavy-duty 11-gauge steel frame with baked-on powder coat finish; all reduction sprockets drilled and pinned to shafts
TROLLEY ROLLER CHAIN	#48 standard
WARRANTY	2 years

INSTALLATION FEATURES

MAXIMUM DOOR HEIGHT	14 feet
MAXIMUM DOOR WIDTH	22 feet
MAXIMUM ALLOWABLE SQUARE FOOTAGE	310 square feet

This commercial door operator must feature constant pressure to close or be equipped with an external monitored entrapment protection device. Use only LiftMaster monitored entrapment protection devices itemized on the accessory page of the operators installation manual to meet UL 325 requirements.

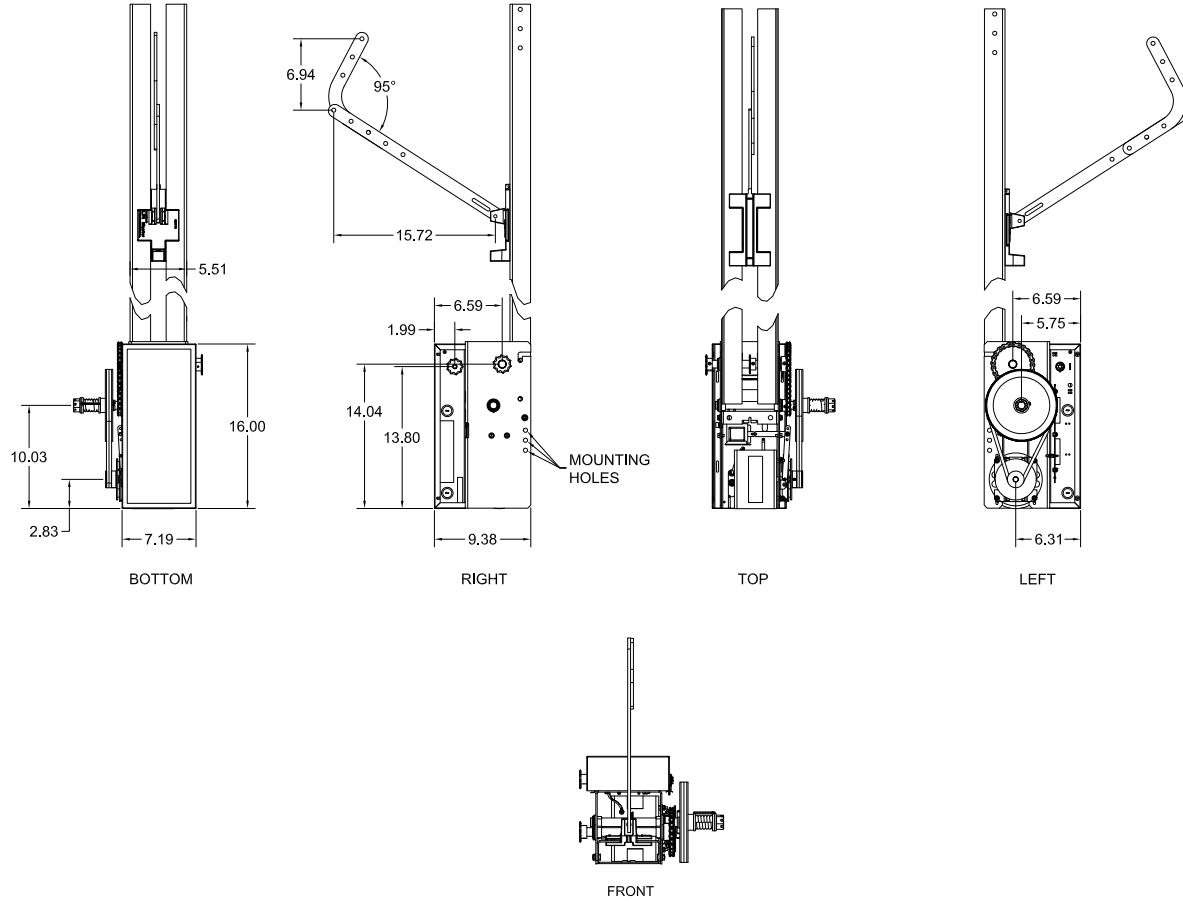
DATA SHEET
MEDIUM-DUTY LOGIC TROLLEY
OPERATOR

LiftMaster

MT MEDIUM-DUTY LOGIC TROLLEY OPERATOR

SECTION 08 71 13

DIMENSIONS



CAPACITY

MAXIMUM DOOR AREA (SQ. FT.)					
SECTIONAL	-	24 GA., 22 GA. STEEL	20 GA. STEEL	16 GA. STEEL	-
	FIBERGLASS	ALUMINUM DOORS	WOOD DOORS	-	-
SQ. FT.	310	260	225	150	100

On steel insulated doors, a 24-gauge back panel is assumed.
Recommended max duty cycles; 12 cycles/hour,
fewer than 50 cycles/per day.