



# GEARHEAD HOIST

Heavy Industrial-Duty Commercial Door Operator

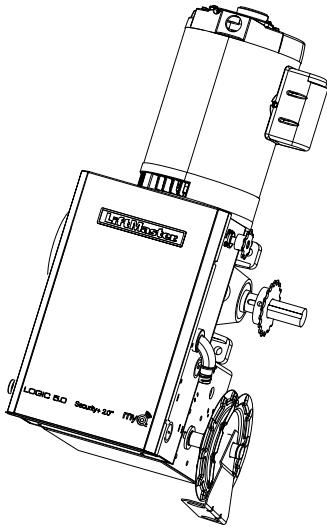
Customer \_\_\_\_\_

Project \_\_\_\_\_

Architect/Engineer \_\_\_\_\_

Contractor \_\_\_\_\_

Drawing Number \_\_\_\_\_ Date \_\_\_\_\_ Sheet \_\_\_\_\_ of \_\_\_\_\_



* OPERATOR AMPERAGE RATING (max. A)					
HORSE POWER	VOLTAGE/PHASE ( all 60Hz)				
	115/1Ø	230/1Ø	208-230/3Ø	460/3Ø	575/3Ø
1/2	11.2	5.6	3.1	1.75	1.4
3/4	13.6	6.8	4	2	1.6
1	16	8	6	3	1.8
1-1/2	20	10	7	3.5	2.75
2	NA	NA	8	4	3
3	NA	NA	10.6	4.8	NA

\* Operator Amperage Rating (max. A) includes the total current draw of the motor, control box and accessories that are powered by the operator. These Amperage Ratings agree with the UL Report.

## Specifications

1) Supply quantity \_\_\_\_\_ ( \_\_\_\_\_ ) LiftMaster Operator(s) Model Number \_\_\_\_\_  
\_\_\_\_\_ HP, \_\_\_\_\_ Volts, \_\_\_\_\_ Phase, \_\_\_\_\_ Hertz \_\_\_\_\_

2) For \_\_\_\_\_ wide x \_\_\_\_\_ high door(s) with \_\_\_\_\_ feet of high lift

3) Supply \_\_\_\_\_ ( \_\_\_\_\_ ) OPEN/CLOSE/STOP control station(s) in NEMA \_\_\_\_\_ enclosure per operator

4) Supply auxiliary and optional equipment as specified below (one per operator unless otherwise noted)

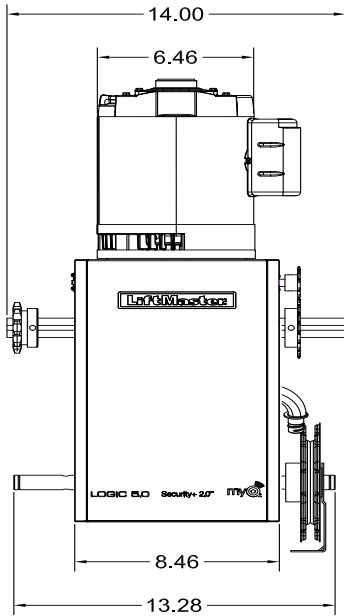
## Notes:

- 1) Refer to Model GH Product Guide for general information at LiftMaster.com
- 2) Refer to operator installation manual for wiring diagram

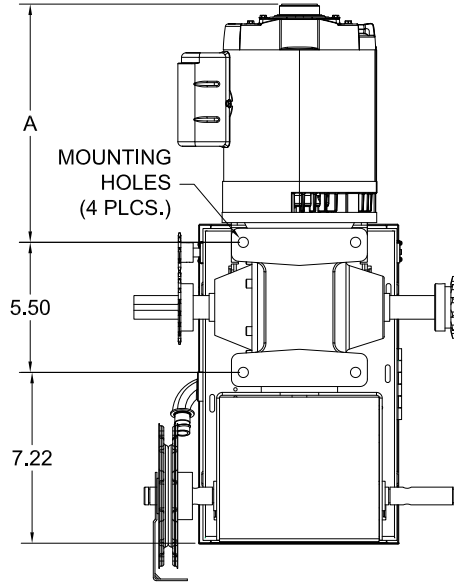


# GEARHEAD HOIST

Heavy Industrial-Duty Commercial Door Operator



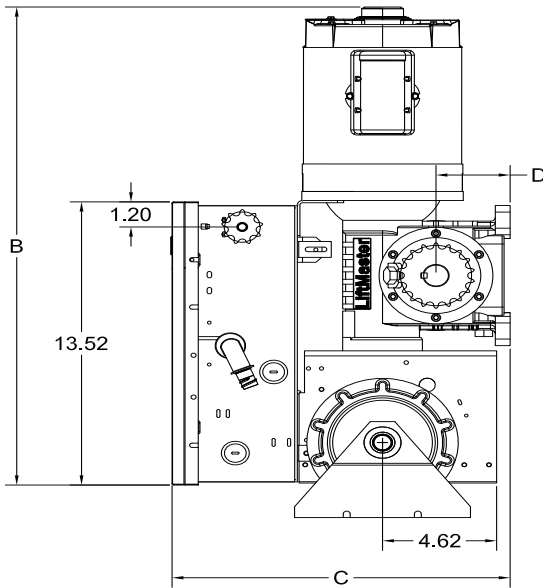
FRONT



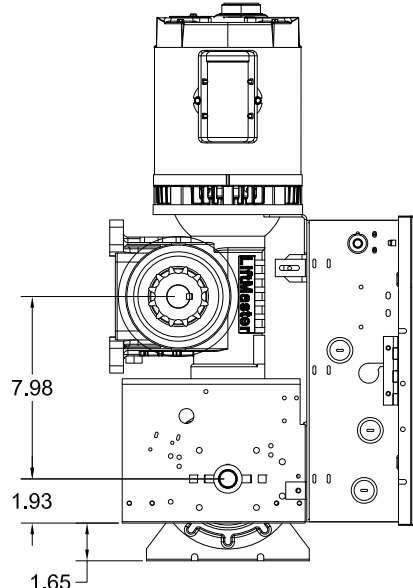
BACK

OPERATOR DIMENSION TABLE					
HP	PHASE	DIMENSIONS			
		A	B	C	D
1/2	1	10-1/16"	22-13/16"	13-11/16"	3"
3/4	1	10-9/16"	23-5/16"	13-11/16"	3"
1	1	12-1/16"	24-13/16"	13-11/16"	3"
1-1/2	1	12-1/16"	24-13/16"	14-13/16"	3-1/2"
1/2	3	10-1/16"	22-13/16"	13-11/16"	3"
3/4	3	10-9/16"	23-5/16"	13-11/16"	3"
1	3	11-1/16"	23-13/16"	13-11/16"	3"
1-1/2	3	12-1/16"	24-13/16"	14-13/16"	3-1/2"
2	3	12-9/16"	25-5/16"	14-13/16"	3-1/2"
3	CONTACT YOUR LIFTMASTER SALES REP				

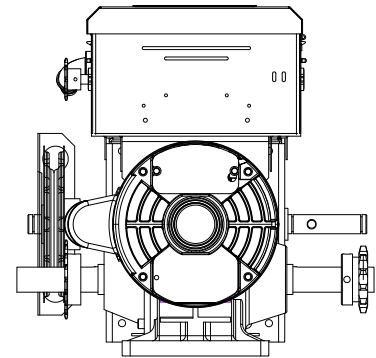
NOTE: DIMENSIONS A, B, C & D MAY VARY PER MOTOR AND GEAR REDUCER MANUFACTURER SPECIFICATIONS, REVISIONS AND SPECIAL MODIFICATIONS TO THE OPERATOR.



RIGHT



LEFT



TOP

### MODEL GH

Hanging Weight:

100 - 180 lbs. (based on HP)

ISO 9001:2015  
Certified



FCC/IC  
Certified