



GEARHEAD HOIST

Heavy Industrial-Duty Commercial Door Operator

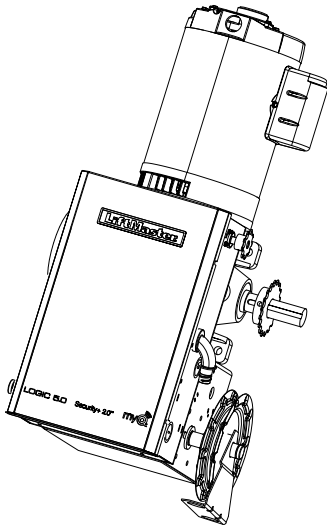
Customer _____

Project _____

Architect/Engineer _____

Contractor _____

Drawing Number _____ Date _____ Sheet _____ of _____



* OPERATOR AMPERAGE RATING (max. A)					
HORSE POWER	VOLTAGE/PHASE (all 60Hz)				
	115/1Ø	230/1Ø	208-230/3Ø	460/3Ø	575/3Ø
1/2	11.2	5.6	3.1	1.75	1.4
3/4	13.6	6.8	4	2	1.6
1	16	8	6	3	1.8
1-1/2	20	10	7	3.5	2.75
2	NA	NA	8	4	3
3	NA	NA	10.6	4.8	NA

* Operator Amperage Rating (max. A) includes the total current draw of the motor, control box and accessories that are powered by the operator. These Amperage Ratings agree with the UL Report.

Specifications

- Supply quantity _____ (_____) LiftMaster Operator(s) Model Number _____
_____ HP, _____ Volts, _____ Phase, _____ Hertz _____
- For _____ wide x _____ high door(s) with _____ feet of high lift
- Supply _____ (_____) OPEN/CLOSE/STOP control station(s) in NEMA _____ enclosure per operator
- Supply auxiliary and optional equipment as specified below (one per operator unless otherwise noted)

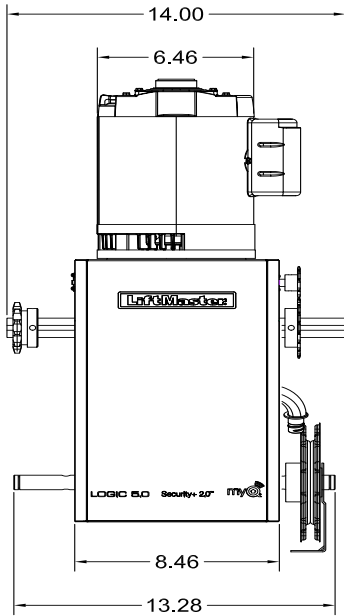
Notes:

- Refer to Model GH Product Guide for general information at LiftMaster.com
- Refer to operator installation manual for wiring diagram

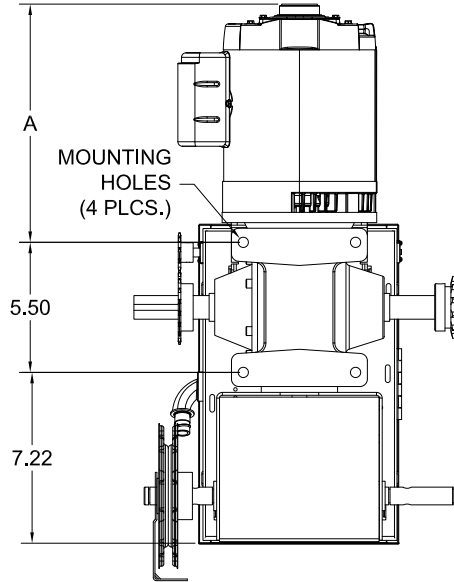


GEARHEAD HOIST

Heavy Industrial-Duty Commercial Door Operator



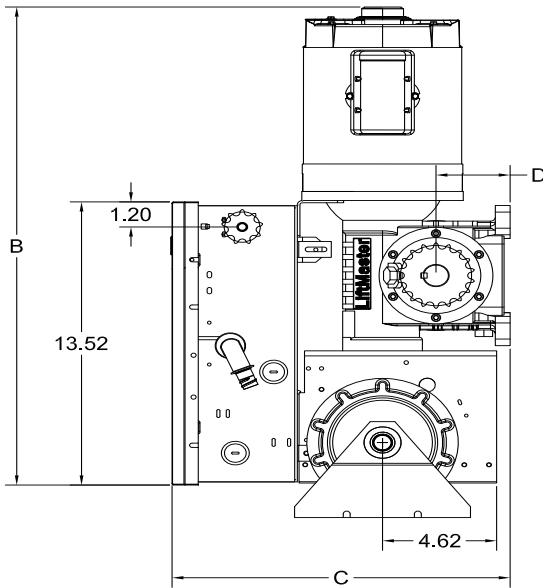
FRONT



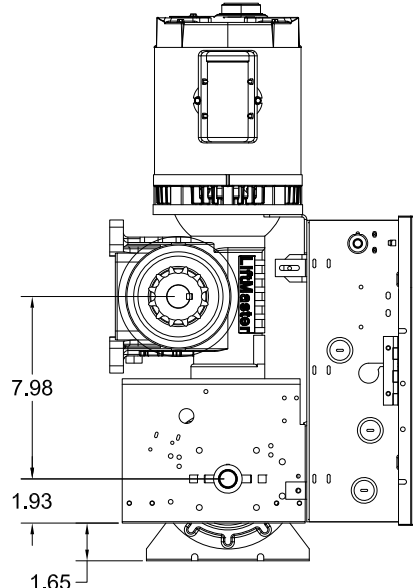
BACK

OPERATOR DIMENSION TABLE					
HP	PHASE	DIMENSIONS			
		A	B	C	D
1/2	1	10-1/16"	22-13/16"	13-11/16"	3"
3/4	1	10-9/16"	23-5/16"	13-11/16"	3"
1	1	12-1/16"	24-13/16"	13-11/16"	3"
1-1/2	1	12-1/16"	24-13/16"	14-13/16"	3-1/2"
1/2	3	10-1/16"	22-13/16"	13-11/16"	3"
3/4	3	10-9/16"	23-5/16"	13-11/16"	3"
1	3	11-1/16"	23-13/16"	13-11/16"	3"
1-1/2	3	12-1/16"	24-13/16"	14-13/16"	3-1/2"
2	3	12-9/16"	25-5/16"	14-13/16"	3-1/2"
3	CONTACT YOUR LIFTMASTER SALES REP				

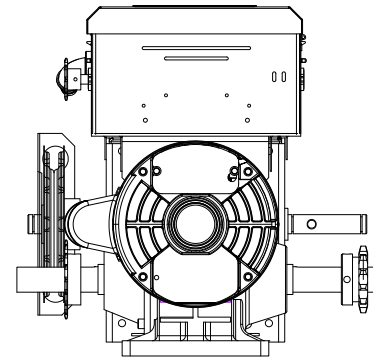
NOTE: DIMENSIONS A, B, C & D MAY VARY PER MOTOR AND GEAR REDUCER MANUFACTURER SPECIFICATIONS, REVISIONS AND SPECIAL MODIFICATIONS TO THE OPERATOR.



RIGHT



LEFT



TOP

MODEL GH

Hanging Weight:

100 - 180 lbs. (based on HP)

ISO 9001:2015
Certified



FCC/IC
Certified