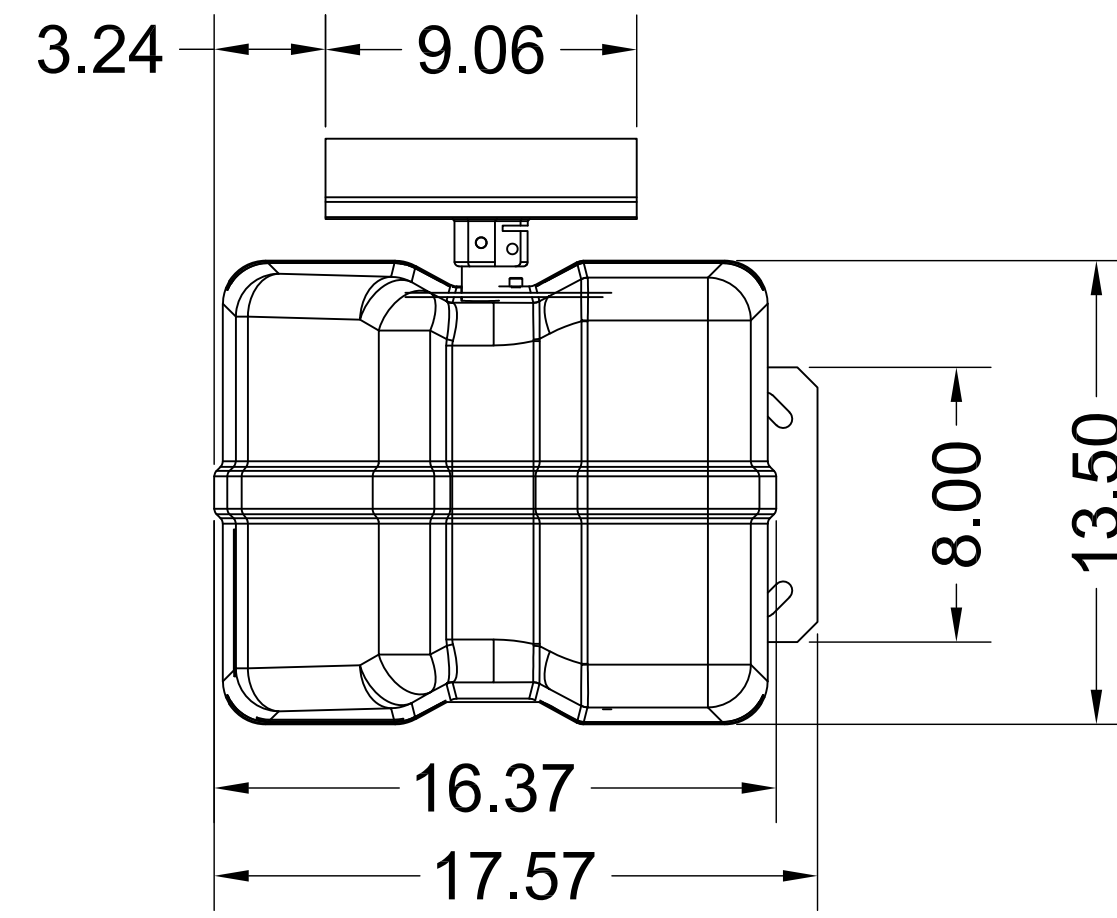
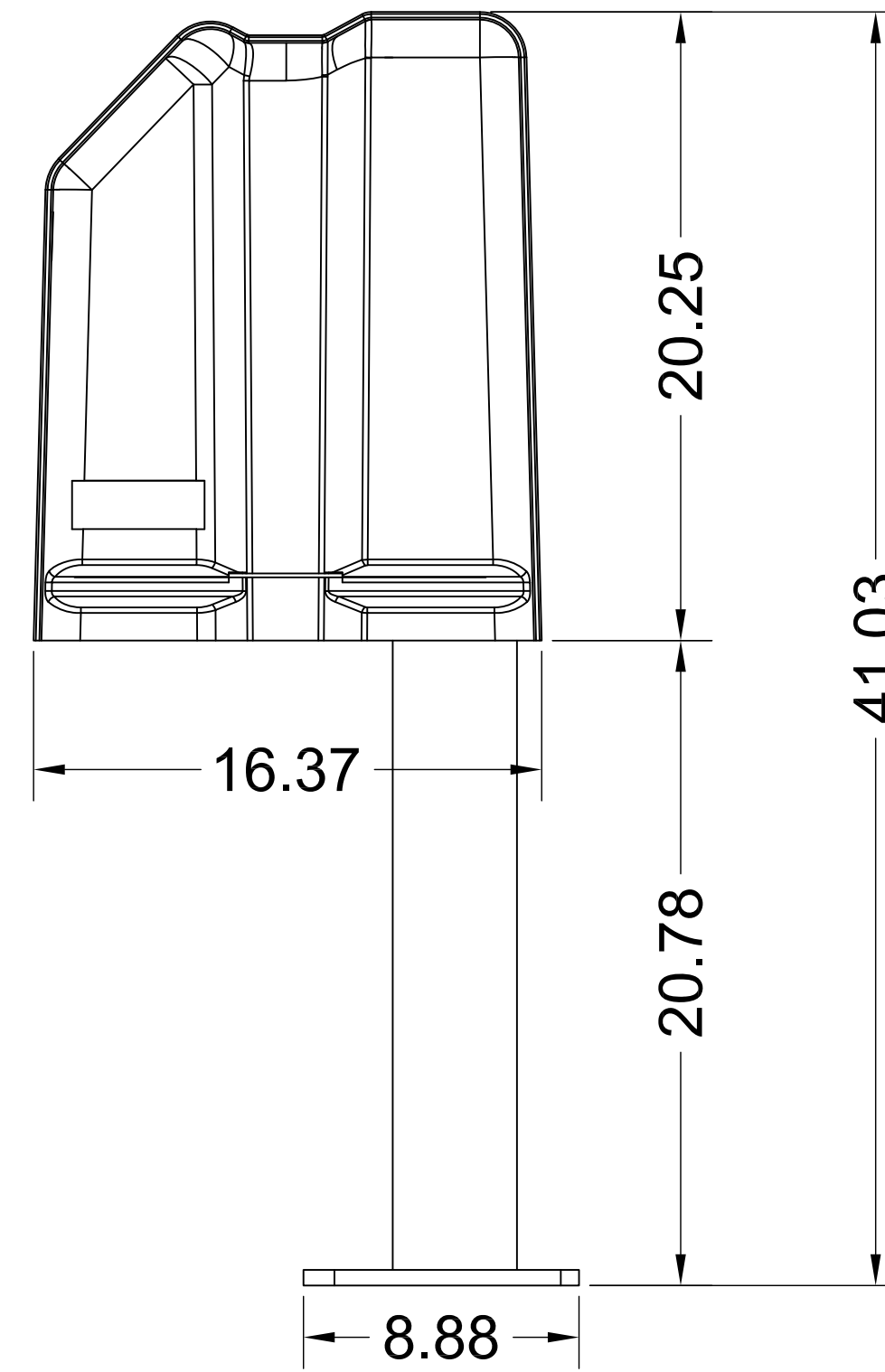


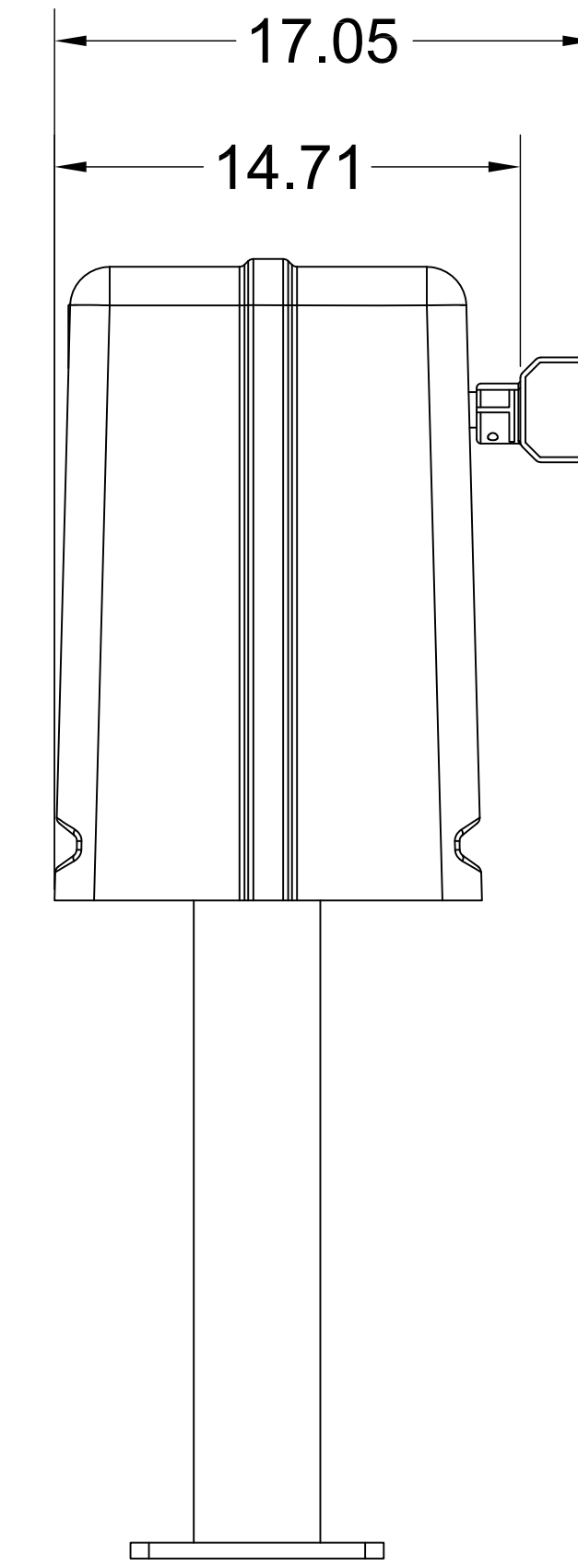
LEFT VIEW



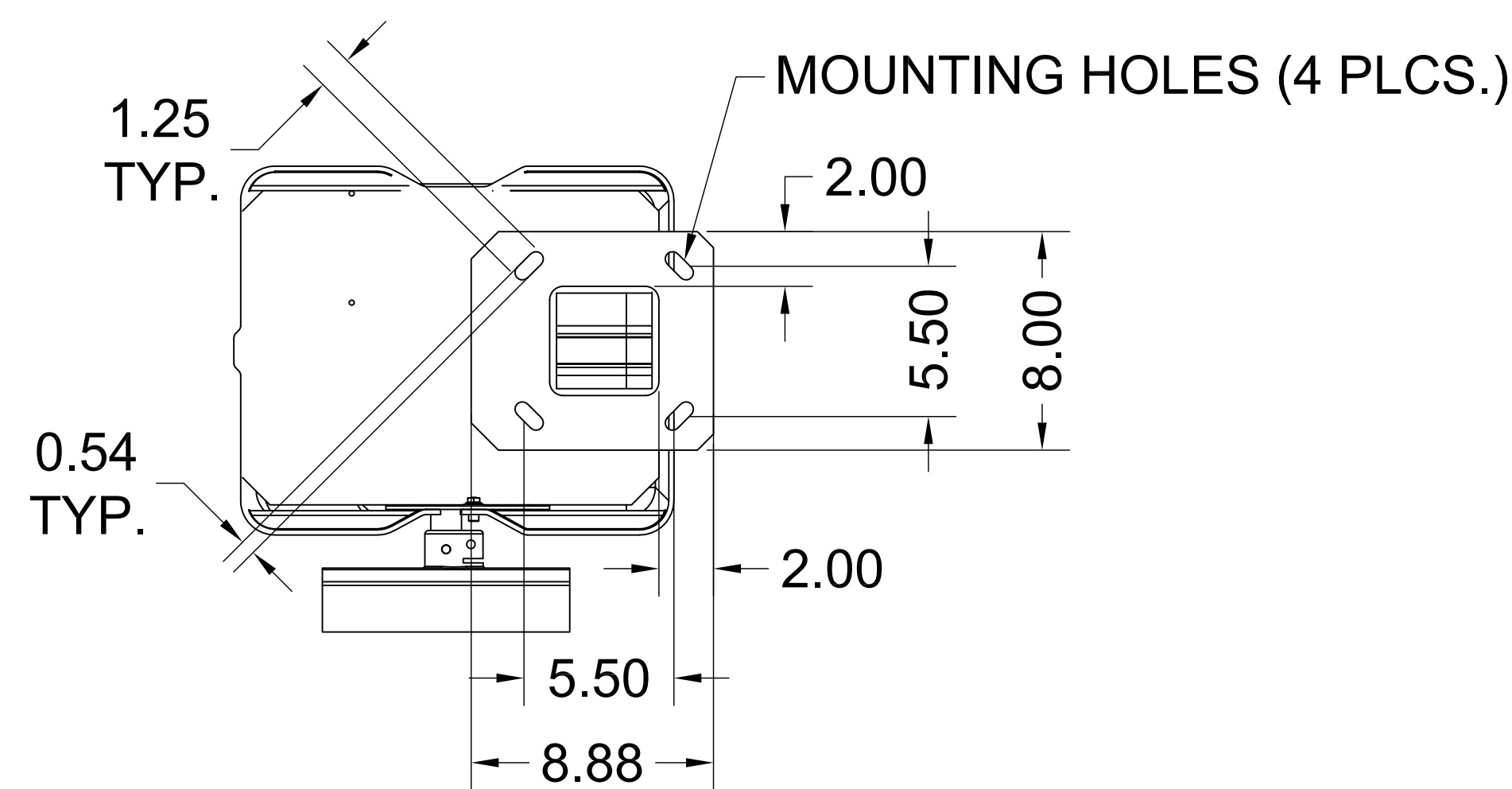
TOP VIEW



FRONT VIEW



RIGHT VIEW



BOTTOM / MOUNTING VIEW

(MA) HIGH-TRAFFIC DC
BARRIER GATE OPERATOR

		300 WINDSOR DR. OAK BROOK, IL 60523 PHONE: (630) 418-6516 FAX: (630) 516-7059
DRW. BY: B. MOFFETT DATE: 08/05/2019	REVISION: SCALE: NTS	SHEET NO: 1/1
TITLE: (MA) BARRIER GATE OPERATOR		CAD FILE: -