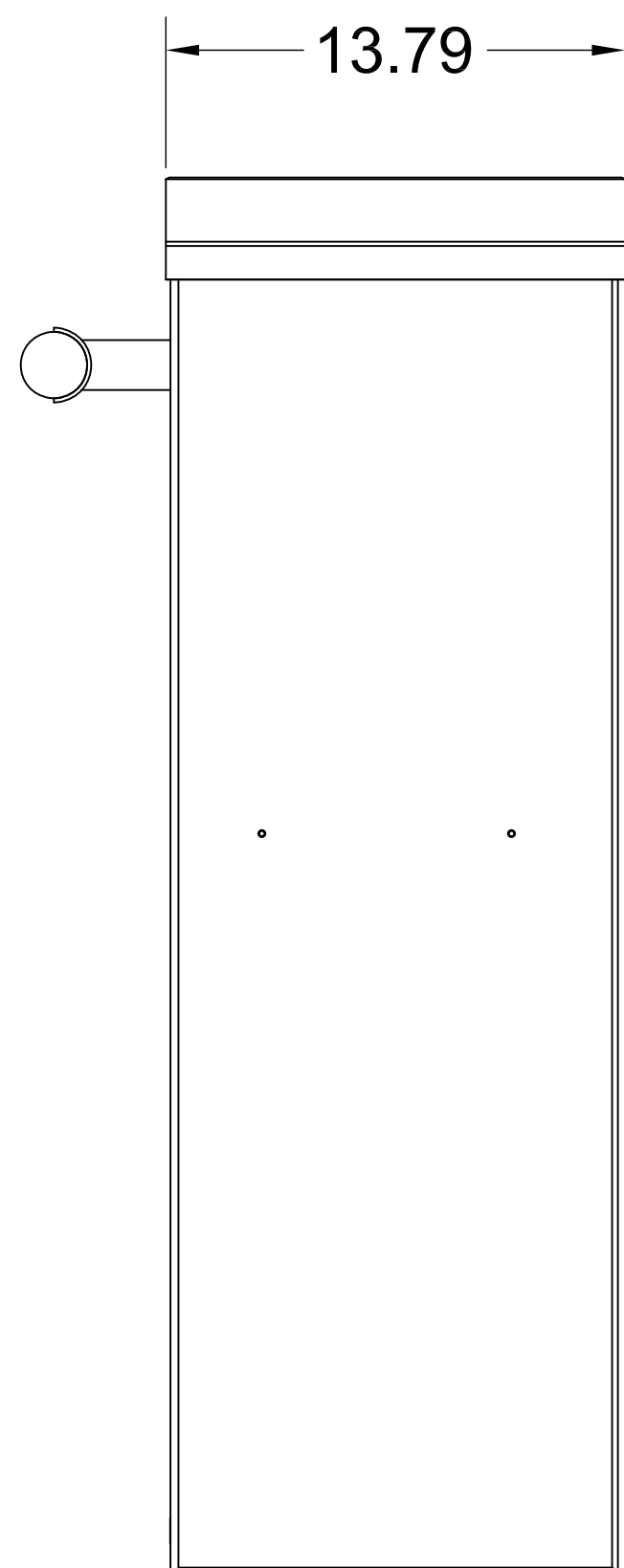
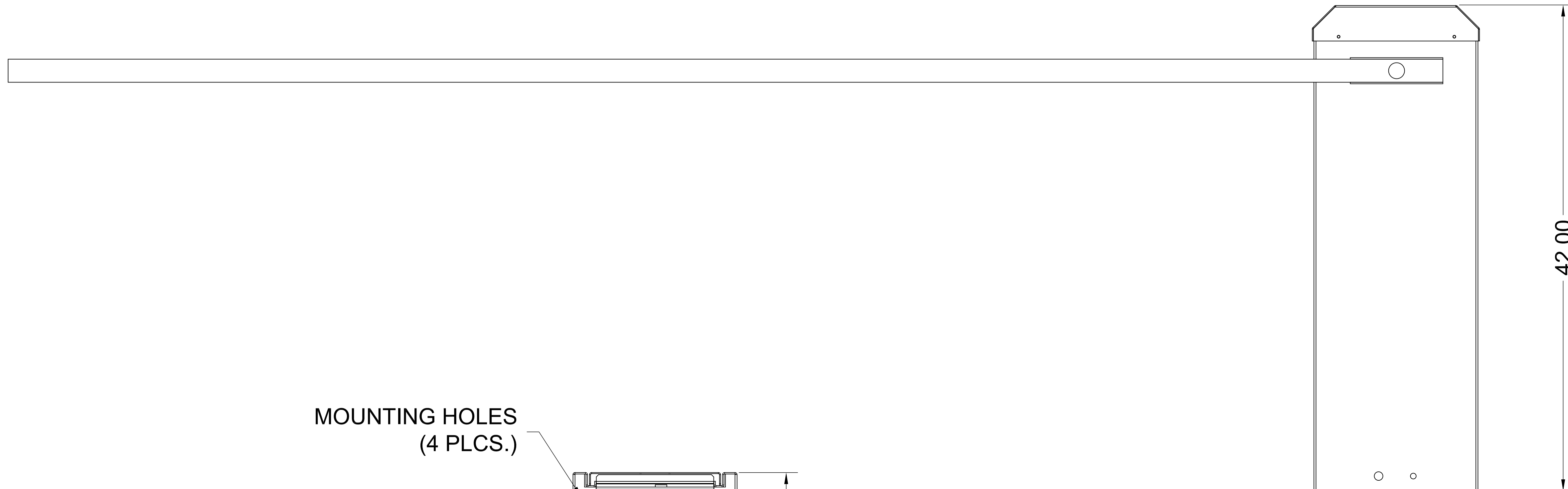


TOP VIEW

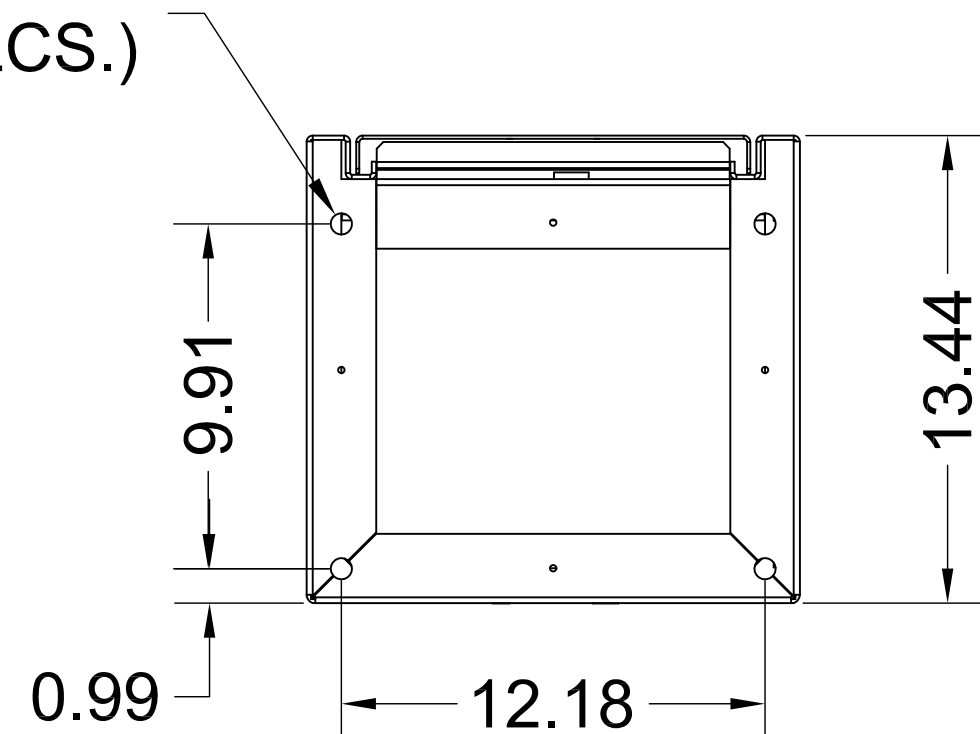


SIDE VIEW



FRONT VIEW

MOUNTING HOLES
(4 PLCS.)



BOTTOM / MOUNTING VIEW

(MAST) TOWER DC BARRIER
GATE OPERATOR

		300 WINDSOR DR. OAK BROOK, IL 60523 PHONE: (630) 418-6516 FAX: (630) 516-7059
DRW. BY: B. MOFFETT	REVISION:	SHEET NO: 1/1
DATE: 07/15/2019	SCALE: NTS	
TITLE: MAST TOWER DC BARRIER GATE OPERATOR		
CAD FILE: -		