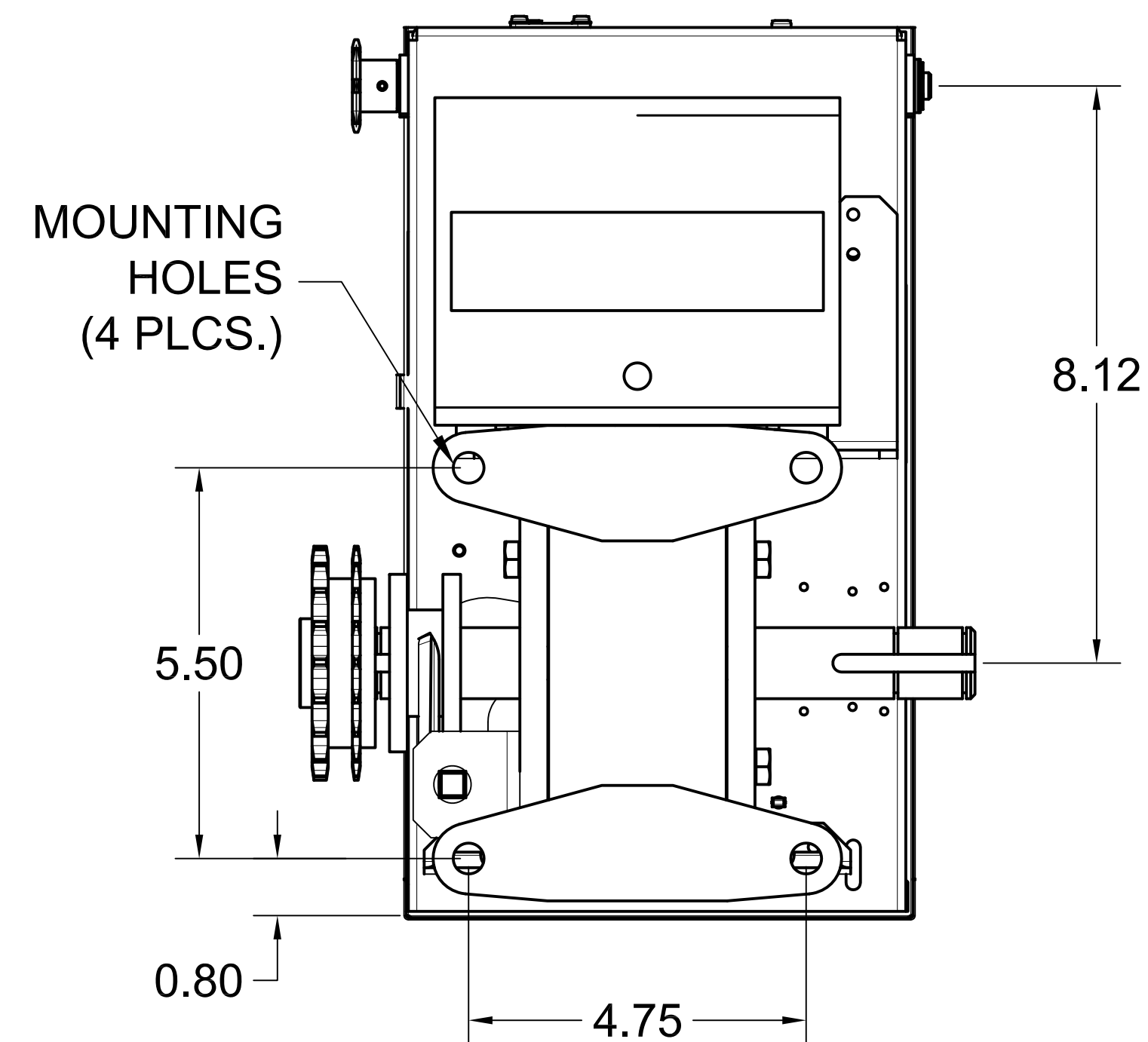
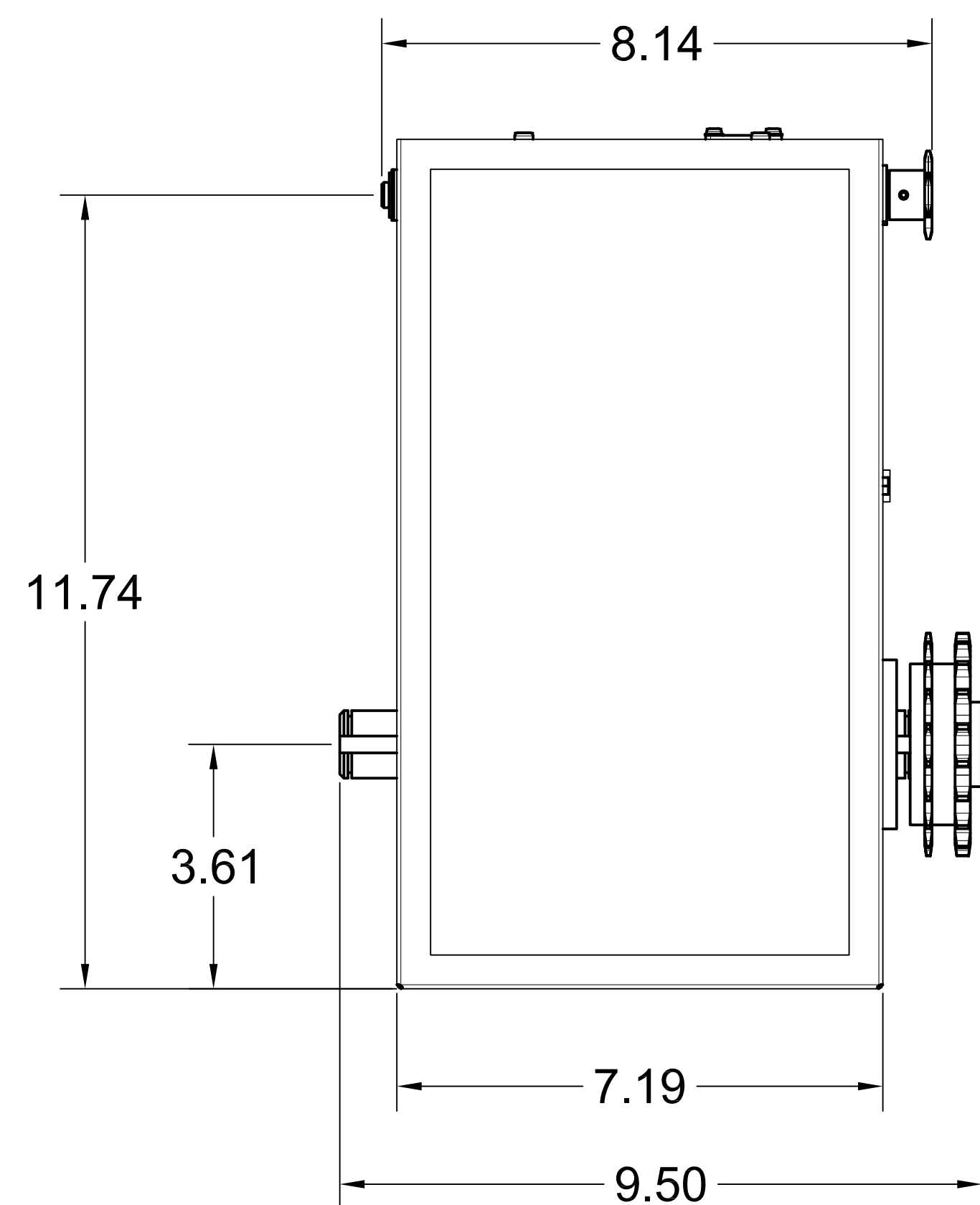


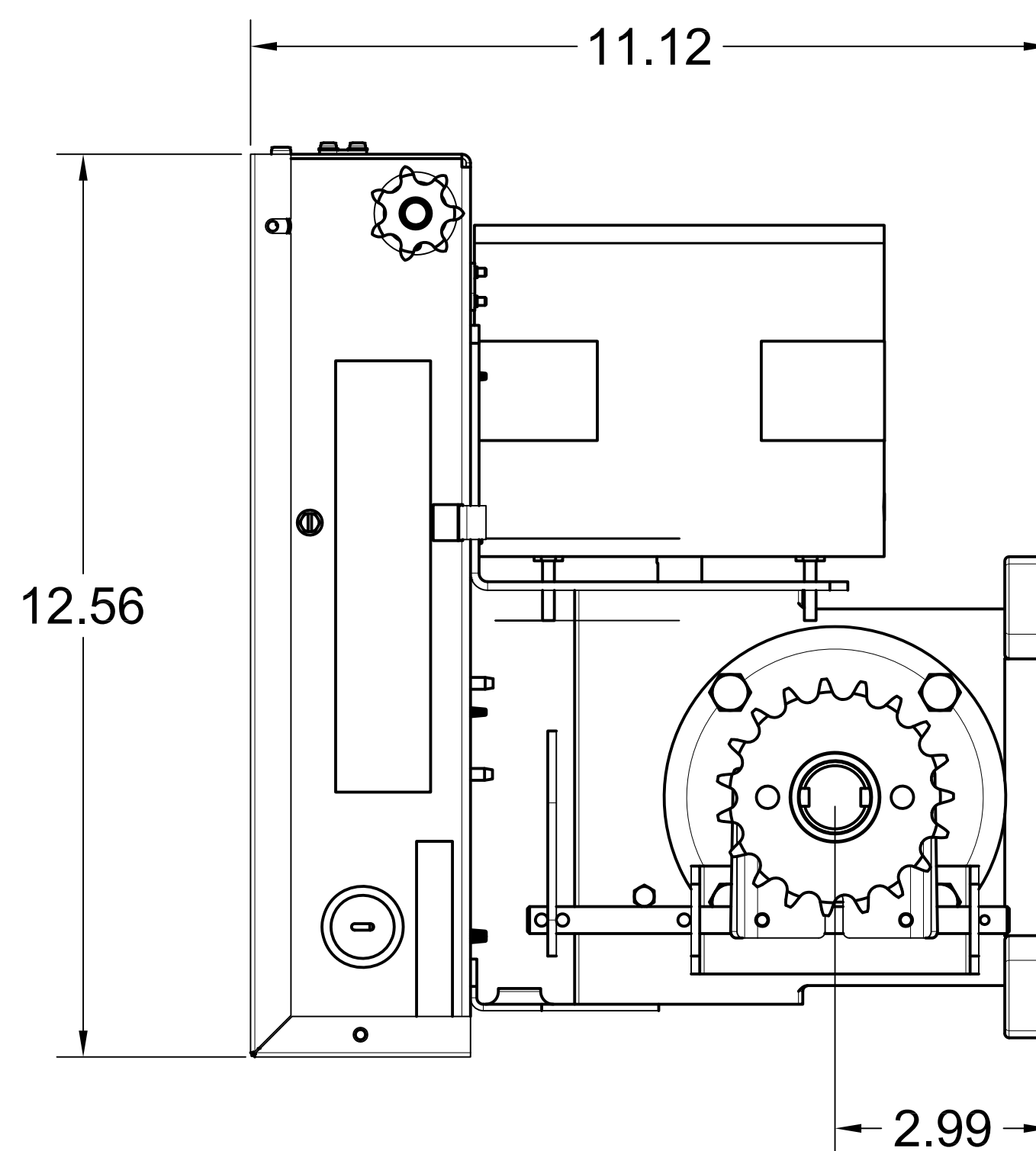
TOP



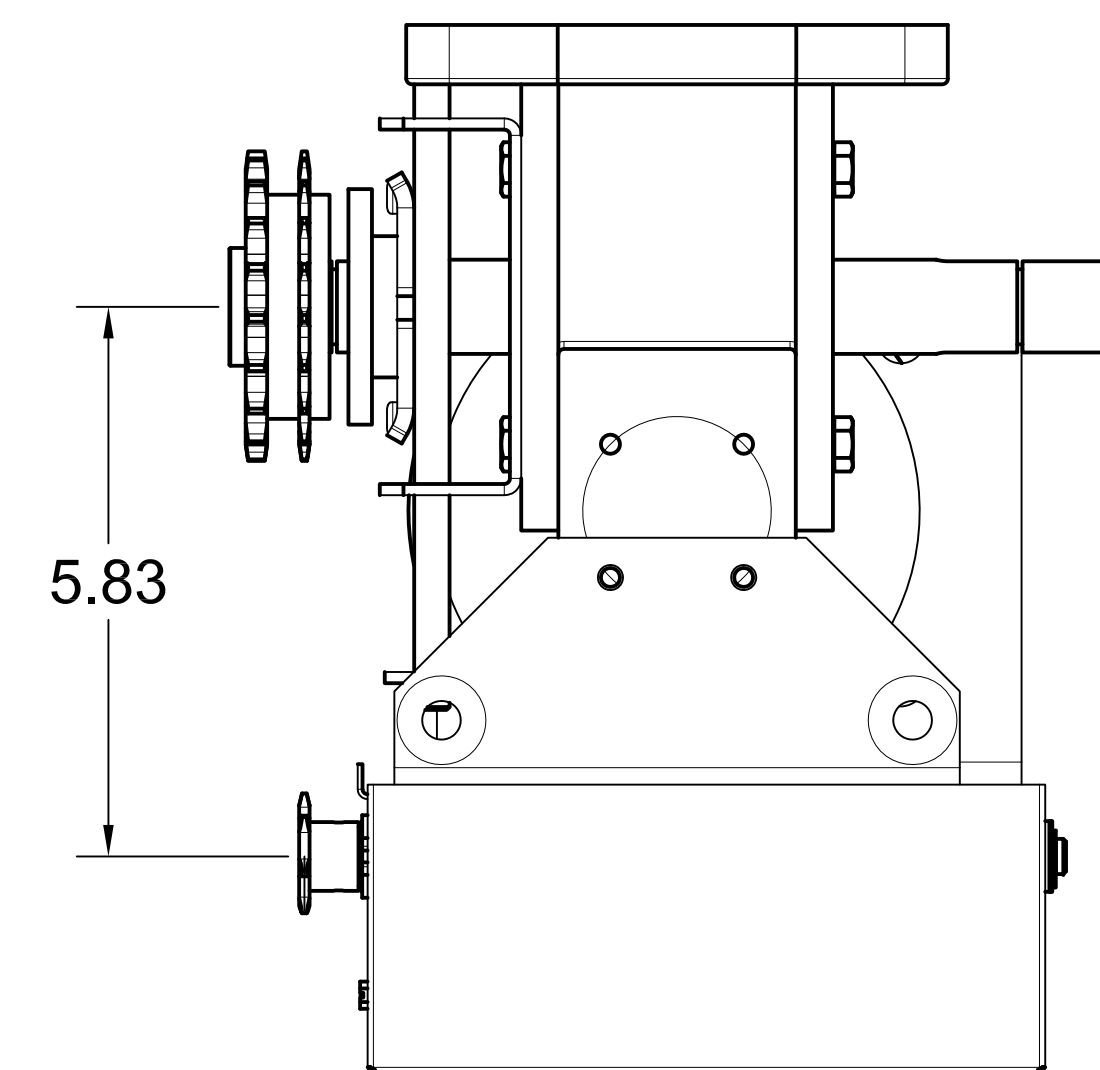
BACK



FRONT




RIGHT



BOTTOM

(MGJ) LOGIC 5 OPERATOR

		300 WINDSOR DR. OAK BROOK, IL 60523 PHONE: (630) 418-6516 FAX: (630) 516-7059
DRW. BY: B. MOFFETT	REVISION:	SHEET NO: <h1>1/1</h1>
DATE: 10/11/2018	SCALE: NTS	
TITLE: LIFTMASTER (MGJ) OPERATOR UNIT		
CAD FILE: -		