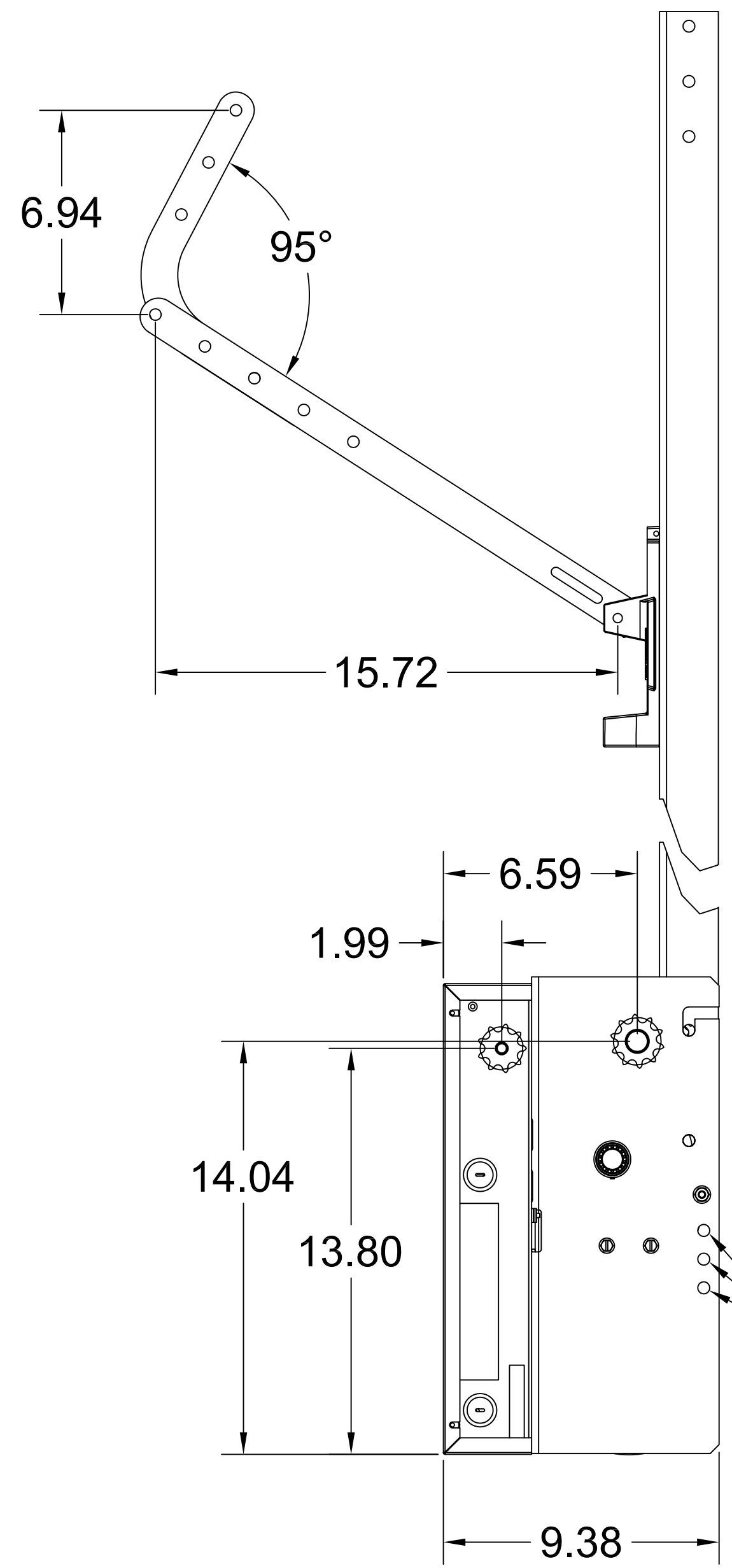
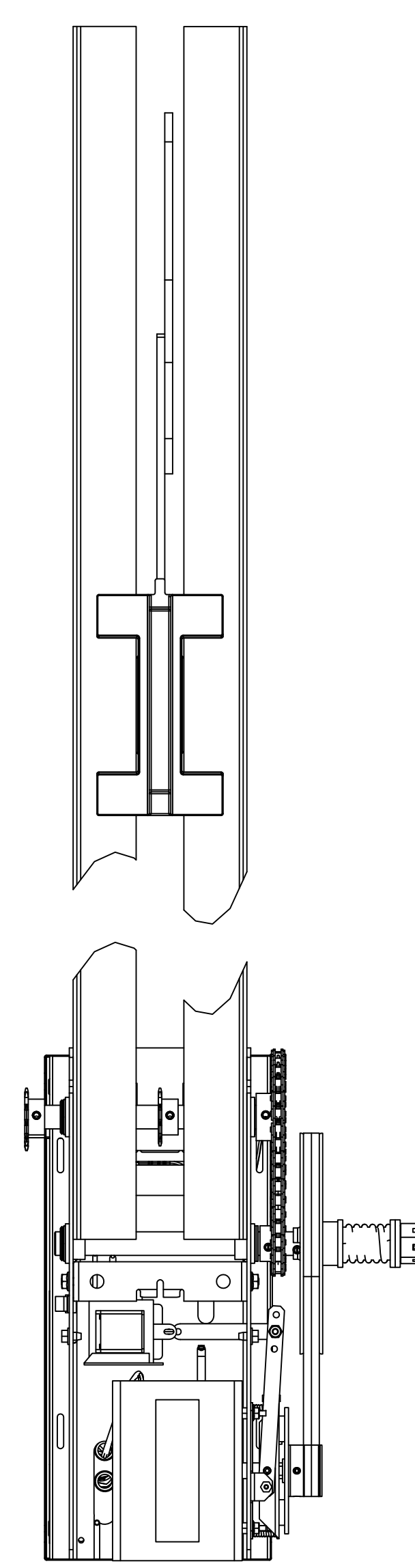


BOTTOM

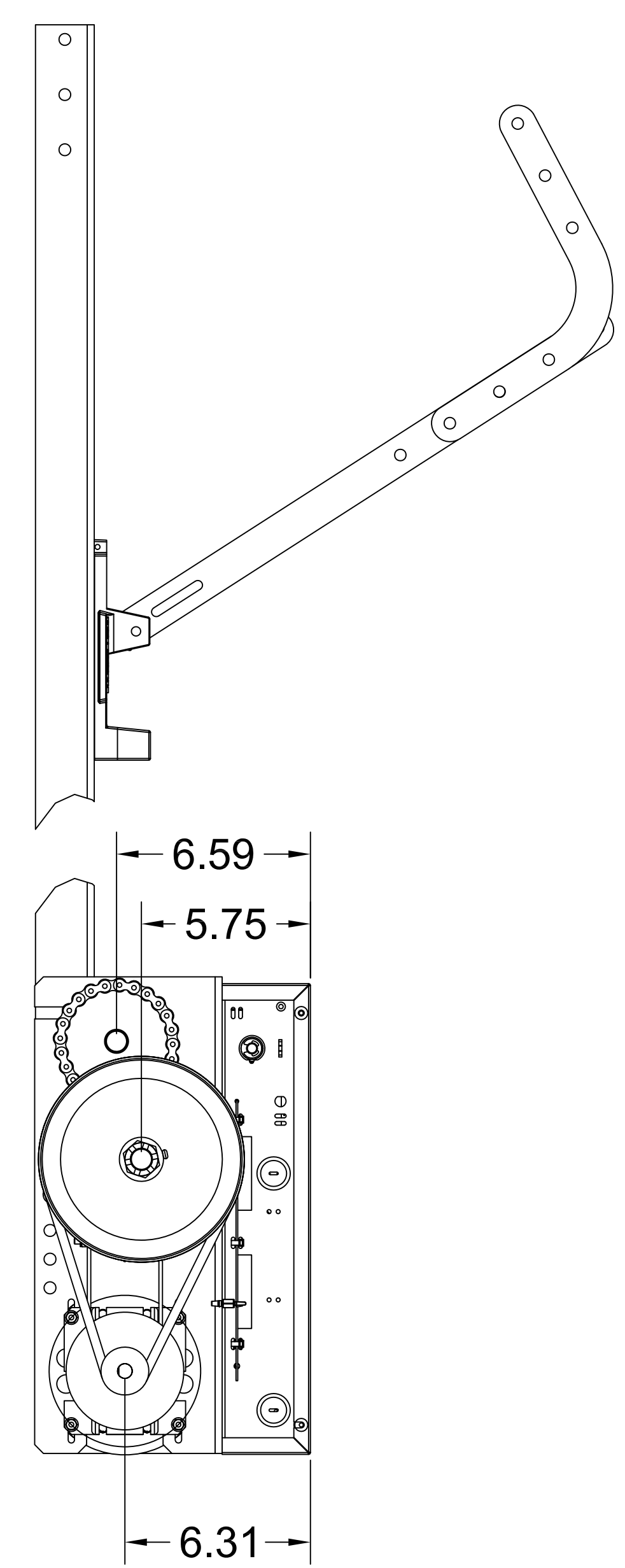


RIGHT

MOUNTING HOLES



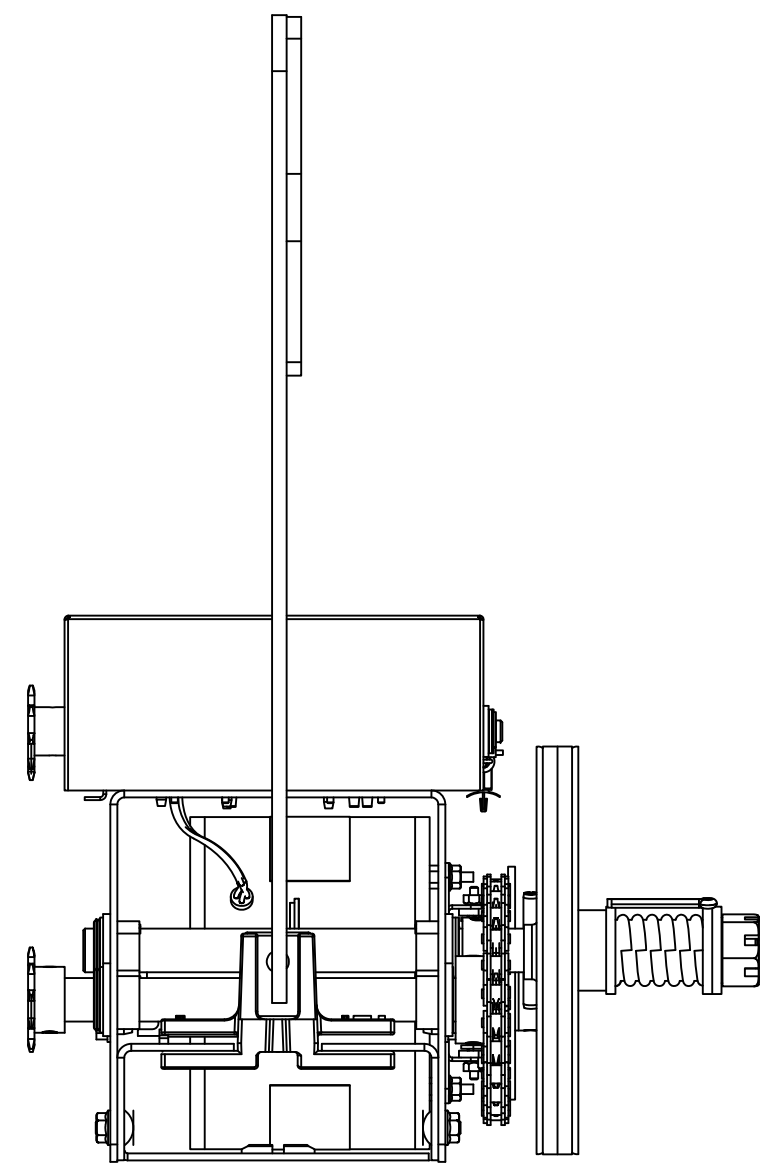
TOP



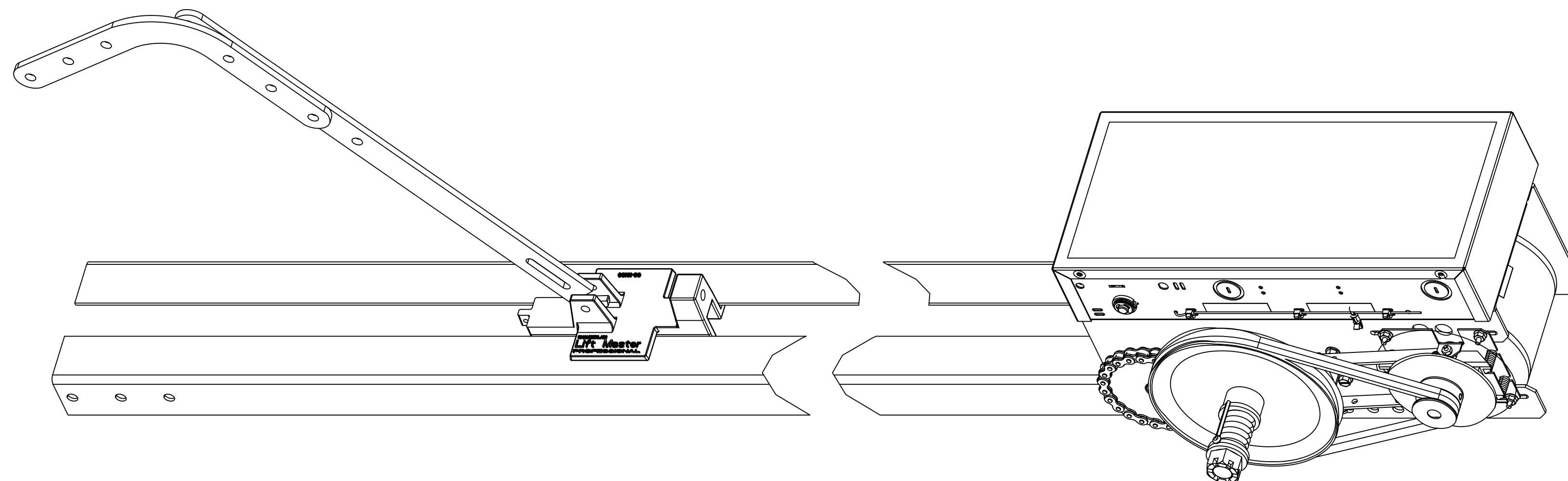
LEFT

(MT) LOGIC 5 OPERATOR

		300 WINDSOR DR. OAK BROOK, IL 60523 PHONE: (630) 418-6516 FAX: (630) 516-7059
DRW. BY: B. MOFFETT	REVISION:	SHEET NO: 1/2
DATE: 11/28/2018	SCALE: NTS	
TITLE: LIFTMASTER (MT) OPERATOR UNIT		
CAD FILE: -		



FRONT



(MT) LOGIC 5 OPERATOR

LiftMaster [®]		300 WINDSOR DR. OAK BROOK, IL 60523 PHONE: (630) 418-6516 FAX: (630) 516-7059
LIFTMASTER (CHAMBERLAIN GROUP, INC.) ENGINEERED SERVICES		
DRW. BY: B. MOFFETT	REVISION:	SHEET NO: 2/2
DATE: 11/28/2018	SCALE: NTS	
TITLE: LIFTMASTER (MT) OPERATOR UNIT		
CAD FILE: -		