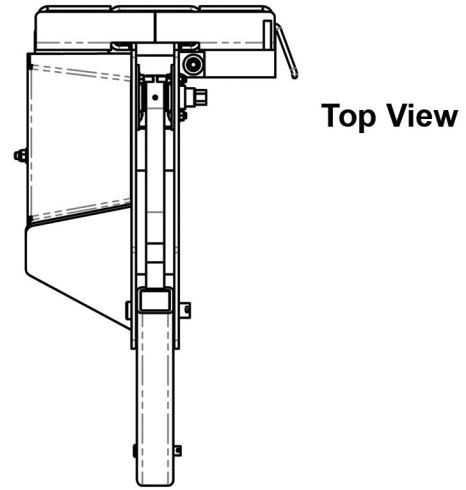
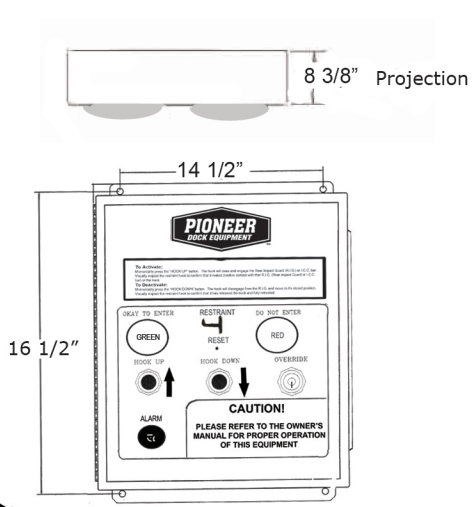
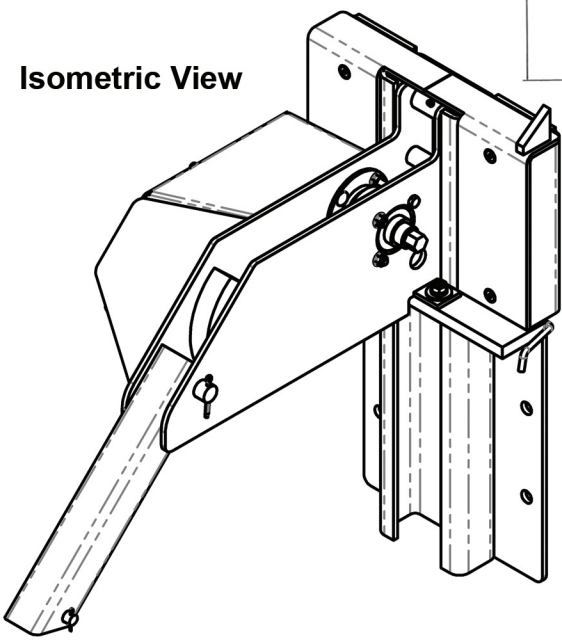


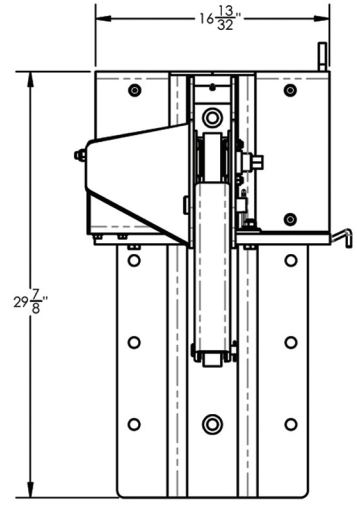
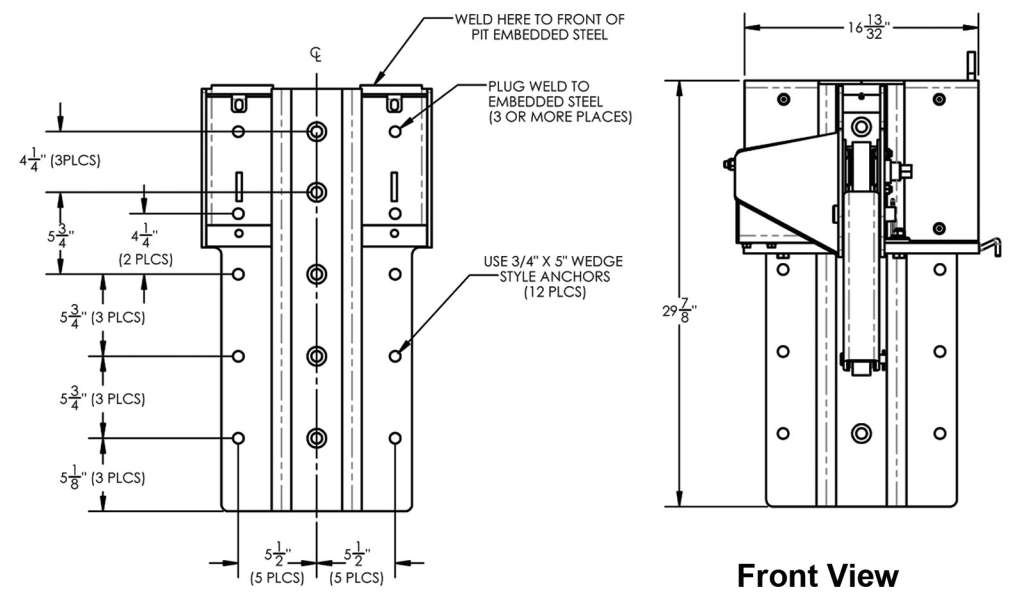
“SLR950” Series Automatic Truck Restraint Detail



Top View



Isometric View



Front View

MOUNTING HOLE PATTERN



PO Box 338 • Spring Hill, Tennessee 37174
 931.486.2296 • 800.251.3382 • Fax: 931.486.0316
 www.pioneerleveler.com

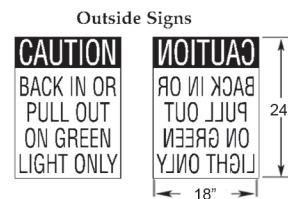
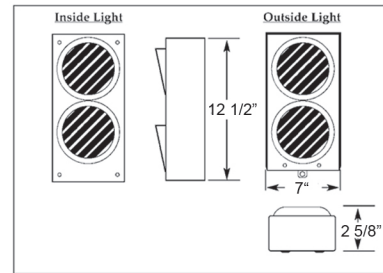
JOB

"SLR950" Series Automatic Truck Restraint Submittal

INSIDE/OUTSIDE TRAFFIC DOCK LIGHT PACKAGE WARNING SIGNS

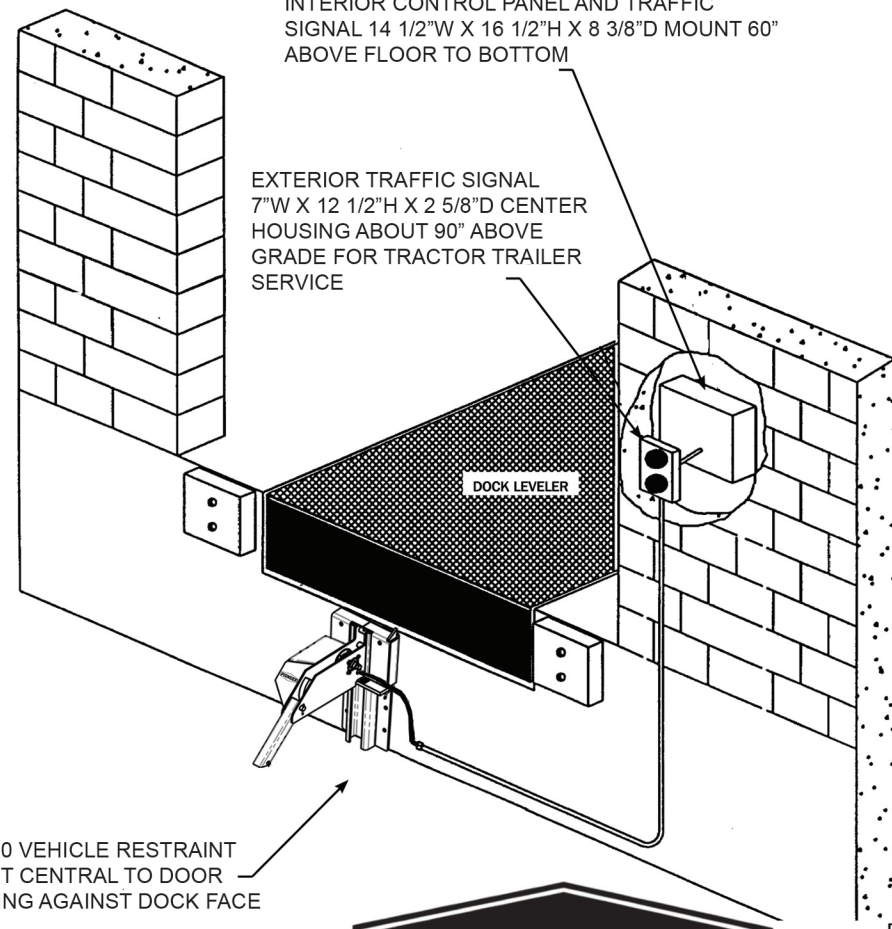
STANDARD FEATURES

- ✓ Automatic unit provides in excess of 32,000 lbs. restraining force
- ✓ Wide 9" - 27" operating range
- ✓ Captures and holds all legal ICC bars
- ✓ Designed to meet 1998 ICC regulations
- ✓ Positive contact hook automatically floats up or down with trailer
- ✓ Automatic inside/outside light system
- ✓ Complete inside/outside sign package included
- ✓ Bolt hole pattern designed for optimal holding force
- ✓ Low maintenance



INTERIOR CONTROL PANEL AND TRAFFIC SIGNAL 14 1/2"W X 16 1/2"H X 8 3/8"D MOUNT 60" ABOVE FLOOR TO BOTTOM

EXTERIOR TRAFFIC SIGNAL 7"W X 12 1/2"H X 2 5/8"D CENTER HOUSING ABOUT 90" ABOVE GRADE FOR TRACTOR TRAILER SERVICE



SLR950 VEHICLE RESTRAINT MOUNT CENTRAL TO DOOR OPENING AGAINST DOCK FACE

OPTIONAL FEATURES

- Steel mounting plate for new construction
- Steel blockouts for bumper projections greater than 4" including edge-of-dock levelers



PO Box 338 • Spring Hill, Tennessee 37174
931.486.2296 • 800.251.3382 • Fax: 931.486.0316
www.pioneerleveler.com